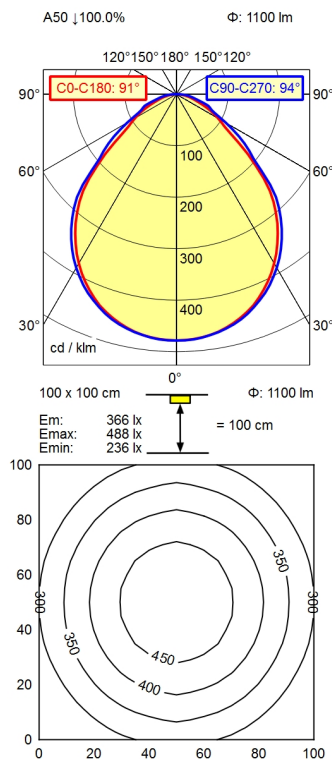


GST 1813F REV



light source
work equipment
connected load
power consumption
luminous flux
luminous efficiency
light type/-color
colour temperatur
color rendering index
light distribution
direct ratio
beam angle
glare control
luminance (L65)
unified glare rating (4H 8H)
system of protection
class of protection
technology
operation
housing
cover
weight (net)
mains lead
design
fastening
decorative contrast side parts
special features

LED
power supply unit
220-240V, 50/60Hz
env. 15 W
approx. 1.100 lm
approx. 73 lm/W
cold white
approx. 5.000 K
CRI > 80
direct
approx. 100 %
92°
structured screen
≤ 13000 cd/m²
≤ 25
IP 20
I
switchable; no notice
rocker switch
aluminium/plastic; anodised; aluminium coloured
anodised
structured
ca. 1,1 kg
built-in plug; GST 1813F REV
mounted version
lamp bracket (accessory)
dusty grey
mounting right