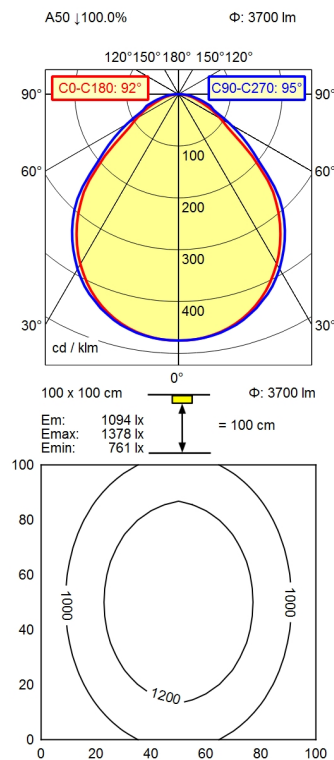


GST 1813F REV



- light source
- work equipment
- connected load
- power consumption
- luminous flux
- luminous efficiency
- light type/-color
- colour temperatur
- color rendering index
- light distribution
- direct ratio
- beam angle
- glare control
- luminance (L65)
- unified glare rating (4H 8H)
- system of protection
- class of protection
- technology
- operation
- housing
- cover
- weight (net)
- mains lead
- design
- fastening
- dimension
- decorative contrast side parts
- special features

- LED
- power supply unit
- 220-240V, 50/60Hz
- env. 40 W
- approx. 3.700 lm
- approx. 93 lm/W
- cold white
- approx. 5.000 K
- CRI > 80
- direct
- approx. 100 %
- 92°
- structured screen
- <= 13000 cd/m²
- <= 25
- IP 20
- I
- switchable; no notice
- rocker switch
- aluminium/plastic; anodised; aluminium coloured
- anodised
- structured
- ca. 1,1 kg
- built-in plug; GST 1813F REV
- mounted version
- lamp bracket (accessory)
- A=1199 mm
- dusty grey
- through-wired