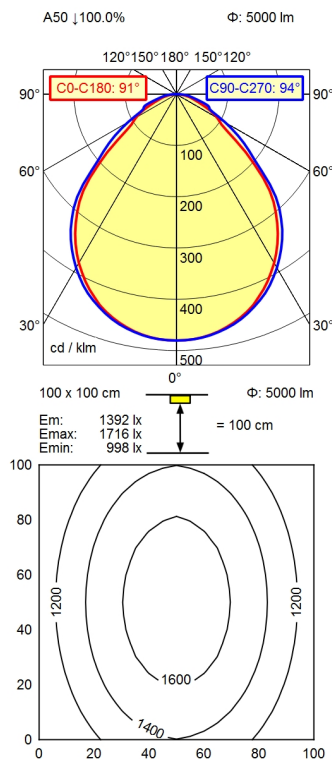


GST 1813F REV



light source  
work equipment  
connected load  
power consumption  
luminous flux  
luminous efficiency  
light type/-color  
colour temperatur  
color rendering index  
light distribution  
direct ratio  
beam angle  
glare control  
luminance (L65)  
unified glare rating (4H 8H)  
system of protection  
class of protection  
technology  
operation  
housing  
cover  
weight (net)  
mains lead  
design  
fastening  
dimension  
decorative contrast side parts  
special features

LED  
power supply unit  
220-240V, 50/60Hz  
env. 63 W  
approx. 5.000 lm  
approx. 79 lm/W  
cold white  
approx. 5.000 K  
CRI > 80  
direct  
approx. 100 %  
92°  
structured screen  
≤ 13000 cd/m<sup>2</sup>  
≤ 25  
IP 20  
I  
switchable; no notice  
rocker switch  
aluminium/plastic; anodised; aluminium coloured  
anodised  
structured  
ca. 1,6 kg  
built-in plug; GST 1813F REV  
mounted version  
lamp bracket (accessory)  
A=1499 mm  
dusty grey  
through-wired