

Electronic Audible Signal Devices / Electronic Buzzers Installation 107
Electr. Buzzer EM Contin. tone 12VDC BK



Part No.: 107.000.54



MECHANICAL DATA	
Height	61 mm
Materials	PA-GF
Housing colour	Black
Protection category	IP65
Connection	Screw terminals
cross-sectional area maximum	1,50mm ² / 16AWG
Type of fixing	Built-in mounting
Working temperature minimum	-20°C
Working temperature maximum	+50°C
Weight with packaging	32 g
Product weight	20 g

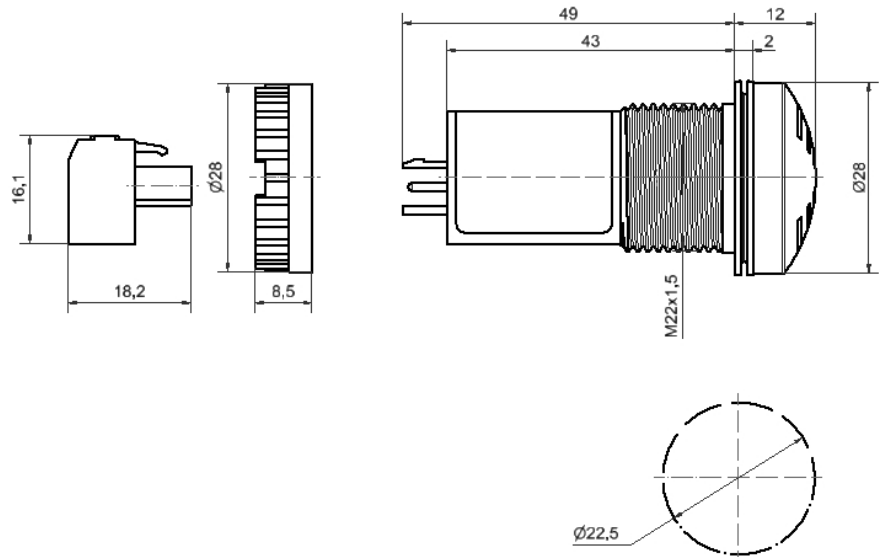
ELECTRICAL DATA	
Operating voltage	12V
Operating voltage type	DC
Operating voltage tolerance	+/- 10%
Rated operational voltage	12 VDC
Rated operational current	10 mA
Rated inrush current	500 mA
Protection class	Protection class 2
Pollution degree	3
	In the connection area: 2

ACUSTICAL DATA	
Volume/dB(max) at 1m distance	80,0 dB (A)
Acoustic signal image	Continuous tone
Audio frequency	3200 Hz
Acoustic service life	5,000 h minimum

! For additional installation and mounting information, refer to the appropriate user guide at www.werma.com. This printed copy is for information only and is subject to alteration.

Electronic Audible Signal Devices / Electronic Buzzers Installation 107
Electr. Buzzer EM Contin. tone 12VDC BK

DRAWING



! For additional installation and mounting information, refer to the appropriate user guide at www.werma.com. This printed copy is for information only and is subject to alteration.