

Electromechanical Audible Signal Devices / AC Installation Buzzers 338  
**Buzzer EM Contin. tone 230VAC**



**Part No.:** 338.323.28

#### MECHANICAL DATA

Length	40 mm
Width	23 mm
Height	23 mm
Diameter	23 mm
Materials	PA-GF
Housing colour	Black
Protection category	IP00
Connection	Solder lugs
Type of fixing	Built-in mounting
Working temperature minimum	-20°C
Working temperature maximum	+60°C
Weight with packaging	25 g
Product weight	22 g

#### ELECTRICAL DATA

Operating voltage	230V
Operating voltage type	AC
Operating voltage frequency	50Hz
Operating voltage tolerance	+/- 10%
Rated operational voltage	230 VAC
Rated operational current	24 mA
Rated inrush current	<500mA
Pollution degree	2

#### ACUSTICAL DATA

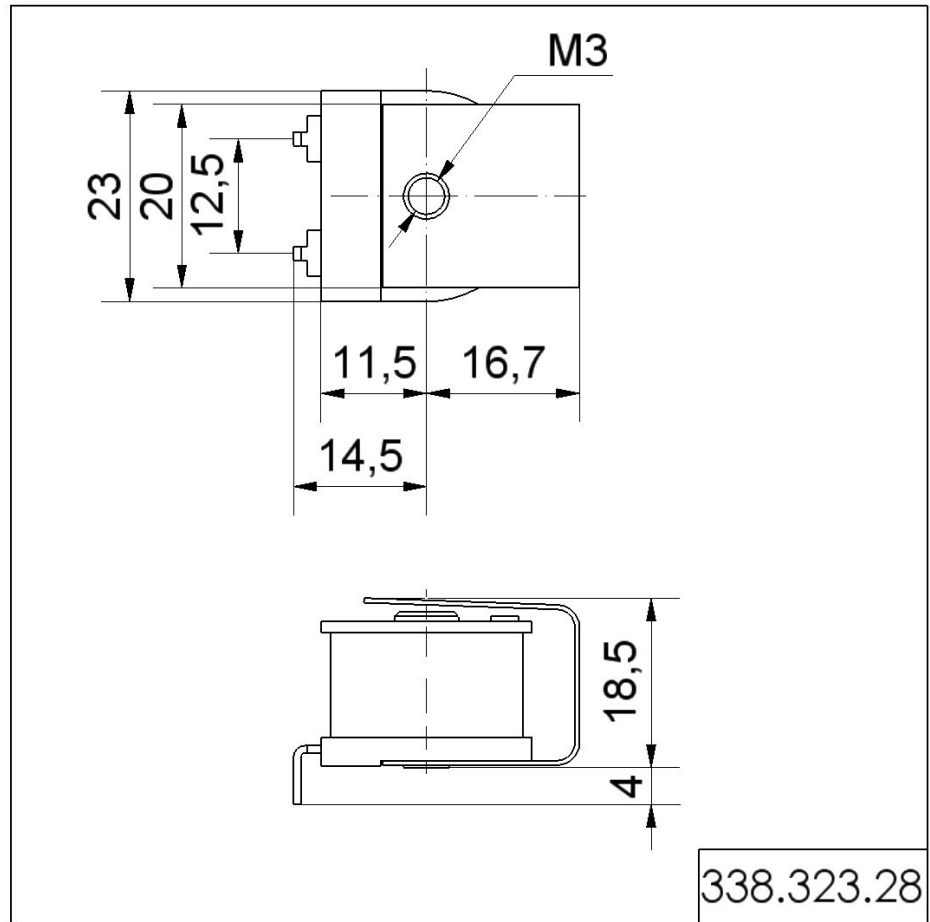
Volume/dB(max) at 1m distance	75,0 dB (A)
Acoustic signal image	Continuous tone
Audio frequency	100 Hz
Acoustic service life	300 h minimum



For additional installation and mounting information, refer to the appropriate user guide at [www.werma.com](http://www.werma.com). This printed copy is for information only and is subject to alteration.

Electromechanical Audible Signal Devices / AC Installation Buzzers 338  
**Buzzer EM Contin. tone 230VAC**

DRAWING



! For additional installation and mounting information, refer to the appropriate user guide at [www.werma.com](http://www.werma.com). This printed copy is for information only and is subject to alteration.