

Electromechanical Audible Signal Devices / Installation Buzzers 382

Buzzer EM Contin. tone 6VDC SR**Part No.:** 382.013.53

MECHANICAL DATA	
Height	37 mm
Diameter	55 mm
Materials	Steel
Housing colour	Silver
Protection category	IP00
Connection	Stranded wires with ferrules
Type of fixing	Built-in mounting
Working temperature minimum	-20°C
Working temperature maximum	+60°C
Weight with packaging	99 g
Product weight	94 g
ELECTRICAL DATA	
Operating voltage	6V
Operating voltage type	DC
Operating voltage tolerance	+/- 10%
Rated operational voltage	6 VDC
Rated operational current	100 mA
Rated inrush current	<5A
Pollution degree	2
ACUSTICAL DATA	
Volume/dB(max) at 1m distance	90,0 dB (A)
Acoustic signal image	Continuous tone
Audio frequency	600 Hz
Acoustic service life	300 h minimum

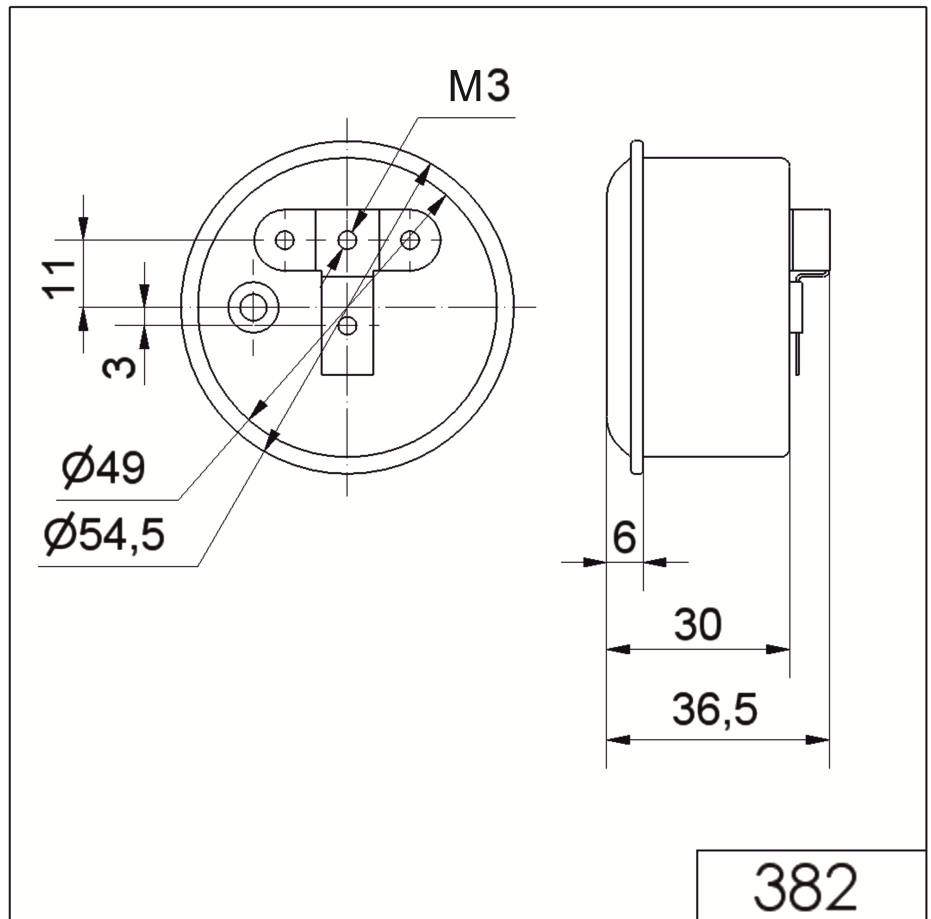


For additional installation and mounting information, refer to the appropriate user guide at www.werma.com. This printed copy is for information only and is subject to alteration.

Electromechanical Audible Signal Devices / Installation Buzzers 382

Buzzer EM Contin. tone 6VDC SR

DRAWING



382



For additional installation and mounting information, refer to the appropriate user guide at www.werma.com. This printed copy is for information only and is subject to alteration.