

## Electromechanical Audible Signal Devices / Installation Buzzers 382

**Buzzer EM Contin. tone 24VDC SR****Part No.:** 382.013.55**MECHANICAL DATA**

Height	37 mm
Diameter	55 mm
Materials	Steel
Housing colour	Silver
Protection category	IP00
Connection	Stranded wires with ferrules
Type of fixing	Built-in mounting
Working temperature minimum	-20°C
Working temperature maximum	+60°C
Weight with packaging	101 g
Product weight	100 g

**ELECTRICAL DATA**

Operating voltage	24V
Operating voltage type	DC
Operating voltage tolerance	+/- 10%
Rated operational voltage	24 VDC
Rated operational current	70 mA
Rated inrush current	<5A
Pollution degree	2

**ACUSTICAL DATA**

Volume/dB(max) at 1m distance	90,0 dB (A)
Acoustic signal image	Continuous tone
Audio frequency	600 Hz
Acoustic service life	300 h minimum

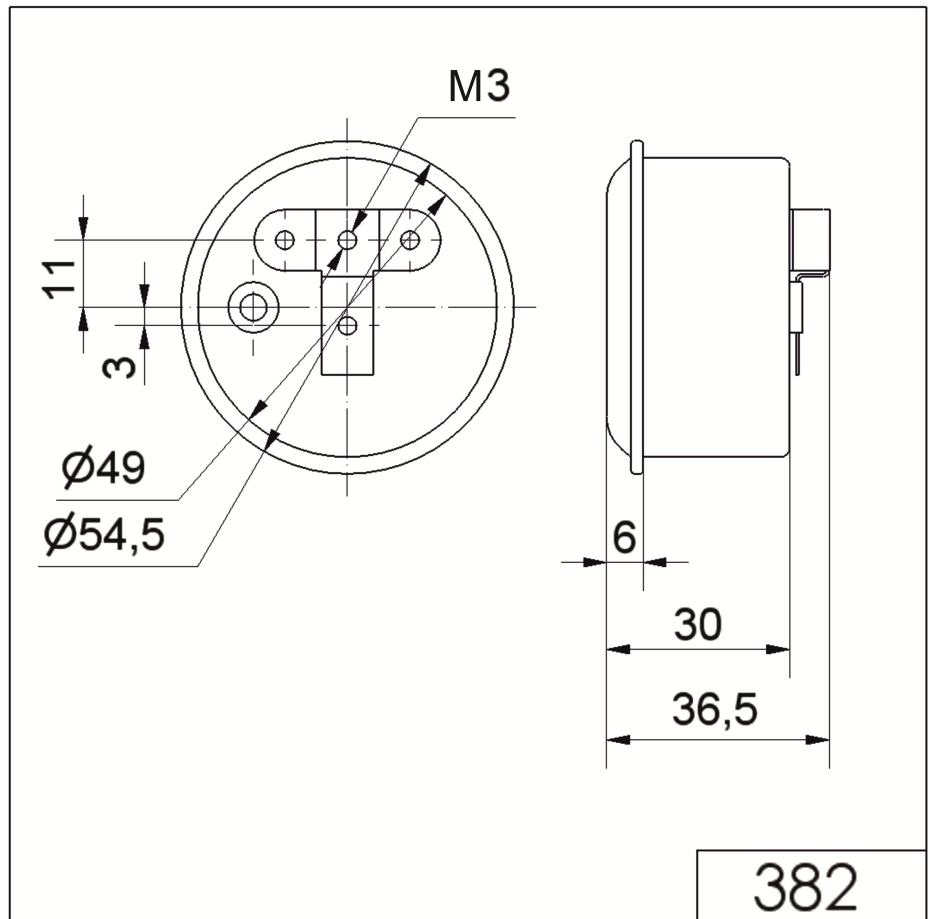


For additional installation and mounting information, refer to the appropriate user guide at [www.werma.com](http://www.werma.com). This printed copy is for information only and is subject to alteration.

Electromechanical Audible Signal Devices / Installation Buzzers 382

**Buzzer EM Contin. tone 24VDC SR**

**DRAWING**



For additional installation and mounting information, refer to the appropriate user guide at [www.werma.com](http://www.werma.com). This printed copy is for information only and is subject to alteration.