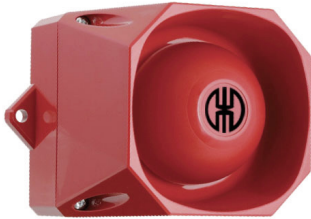


Horns and Sirens / Heavy-Duty multi-tone sounder
Multi-t.sounder WM 32 tne 9-60VDC RD



Part No.: 139.000.55



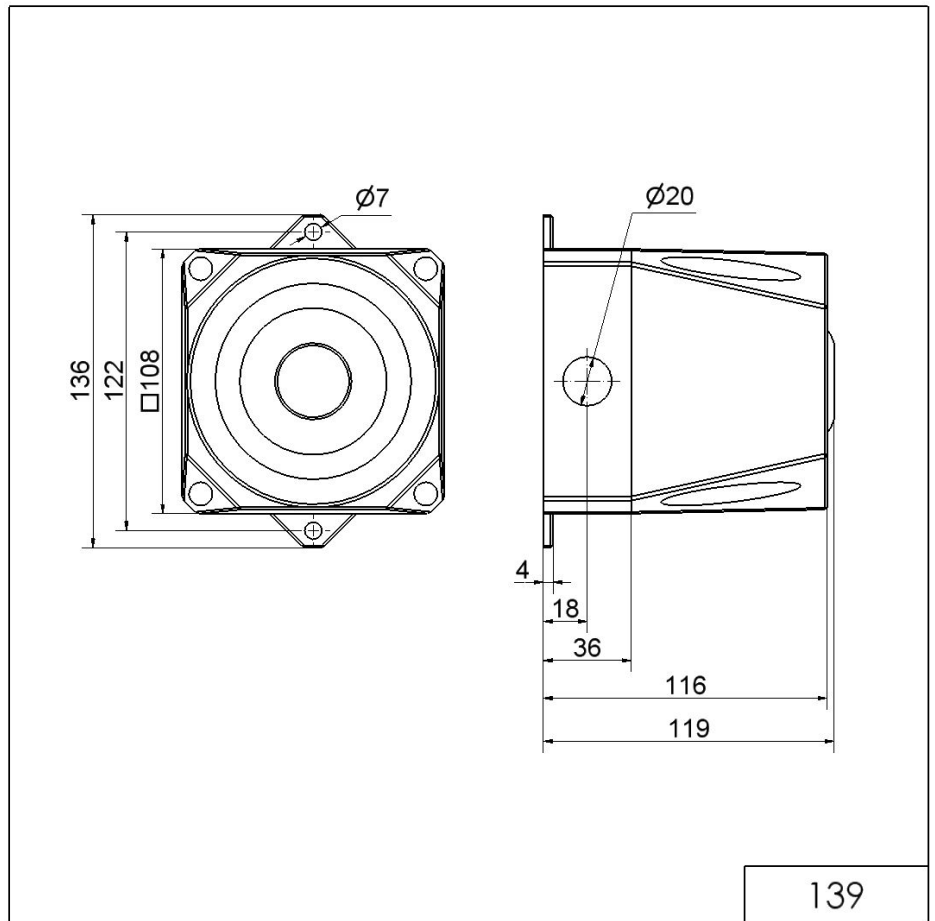
| MECHANICAL DATA | |
|-------------------------------|-----------------------------|
| Length | 119 mm |
| Width | 136 mm |
| Height | 108 mm |
| Materials | ABS |
| Housing colour | Red |
| Protection category | IP66 |
| Connection | Screw terminals |
| cross-sectional area maximum | 2,50mm ² / 14AWG |
| Cable entry | Screwed cable gland |
| Tension relief | Present (conforms to VDI) |
| Type of fixing | Wall mounting |
| Working temperature minimum | -25°C |
| Working temperature maximum | +70°C |
| Weight with packaging | 410 g |
| Product weight | 350 g |
| ELECTRICAL DATA | |
| Operating voltage | 9-60V |
| Operating voltage type | DC |
| Operating voltage tolerance | +/- 0% |
| Rated operational voltage | 24 VDC |
| Rated operational current | 15 mA |
| Protection class | Protection class 2 |
| Pollution degree | 3 |
| OPTICAL DATA | |
| Service life optical | 5,000 h minimum |
| ACUSTICAL DATA | |
| Volume/dB(max) at 1m distance | 105,0 dB (A) |
| Acoustic signal image | Multi-tone |
| Number of tones | 32 tone |
| Acoustic service life | 5,000 h minimum |



For additional installation and mounting information, refer to the appropriate user guide at www.werma.com. This printed copy is for information only and is subject to alteration.

Horns and Sirens / Heavy-Duty multi-tone sounder
Multi-t.sounder WM 32 tne 9-60VDC RD

DRAWING



! For additional installation and mounting information, refer to the appropriate user guide at www.werma.com. This printed copy is for information only and is subject to alteration.