

Micro installation beacon / LED Beacon 231

**LED Perm. Beacon EM 115VAC YE**



Part No.: 231.300.67



| MECHANICAL DATA             |                   |
|-----------------------------|-------------------|
| Height                      | 152 mm            |
| Diameter                    | 29 mm             |
| Materials                   | PC<br>PC/ABS      |
| Dome colour                 | Yellow            |
| Housing colour              | Black             |
| Protection category         | IP65              |
| Connection                  | Cable             |
| Cable length                | 105 mm            |
| Type of fixing              | Built-in mounting |
| Service life optical        | 100,000 h maximum |
| Working temperature minimum | -20°C             |
| Working temperature maximum | +50°C             |
| UL Type Rating              | Type 12           |
| Weight with packaging       | 21 g              |
| Product weight              | 16 g              |

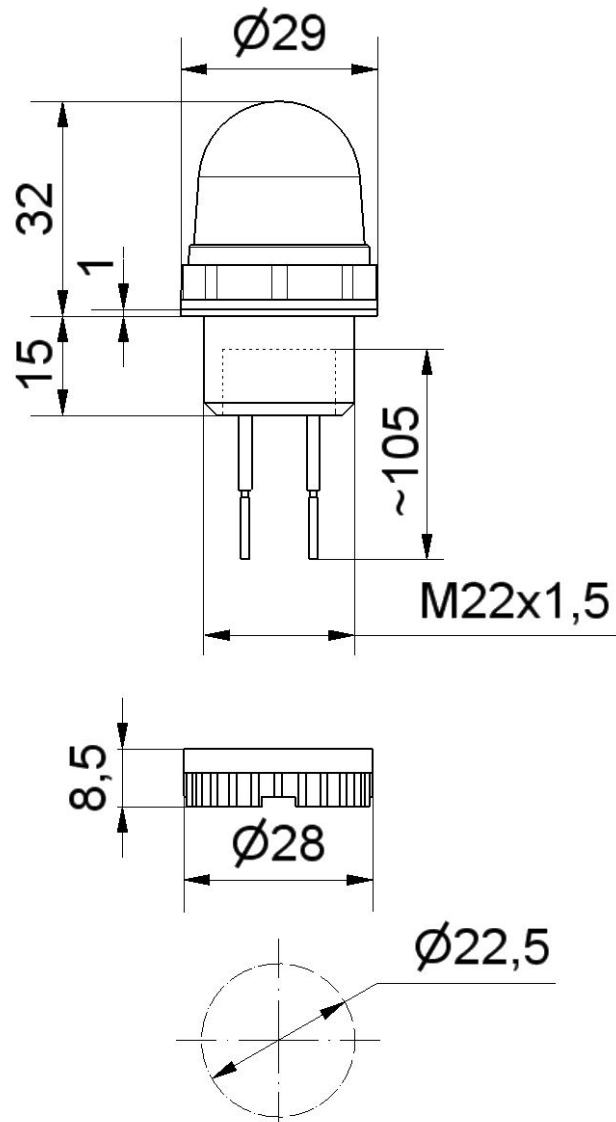
| ELECTRICAL DATA             |                                |
|-----------------------------|--------------------------------|
| Operating voltage           | 115V                           |
| Operating voltage type      | AC                             |
| Operating voltage frequency | 60Hz                           |
| Operating voltage tolerance | +/- 10%                        |
| Rated operational voltage   | 115 VAC                        |
| Rated operational current   | 15 mA                          |
| Rated inrush current        | 500 mA                         |
| Protection class            | Protection class 2             |
| Pollution degree            | 3<br>In the connection area: 2 |
| Overvoltage category        | II                             |
| Isolation voltage           | Ui = 250V; Uimp = 2.500V       |

| OPTICAL DATA         |           |
|----------------------|-----------|
| Light source         | LED       |
| Light colour         | Yellow    |
| Optical signal image | Permanent |

! For additional installation and mounting information, refer to the appropriate user guide at [www.werma.com](http://www.werma.com). This printed copy is for information only and is subject to alteration.

Micro installation beacon / LED Beacon 231  
**LED Perm. Beacon EM 115VAC YE**

DRAWING



For additional installation and mounting information, refer to the appropriate user guide at [www.werma.com](http://www.werma.com). This printed copy is for information only and is subject to alteration.