

Mini installation beacon / AS-i LED Beacon (Multicolour) 239

**AS-i LED Beacon EM 24VDC MC**

Part No.: 239.780.55



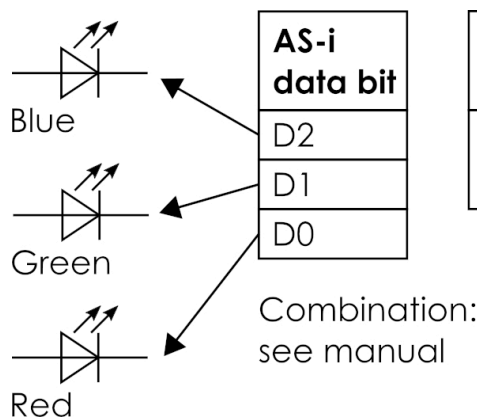
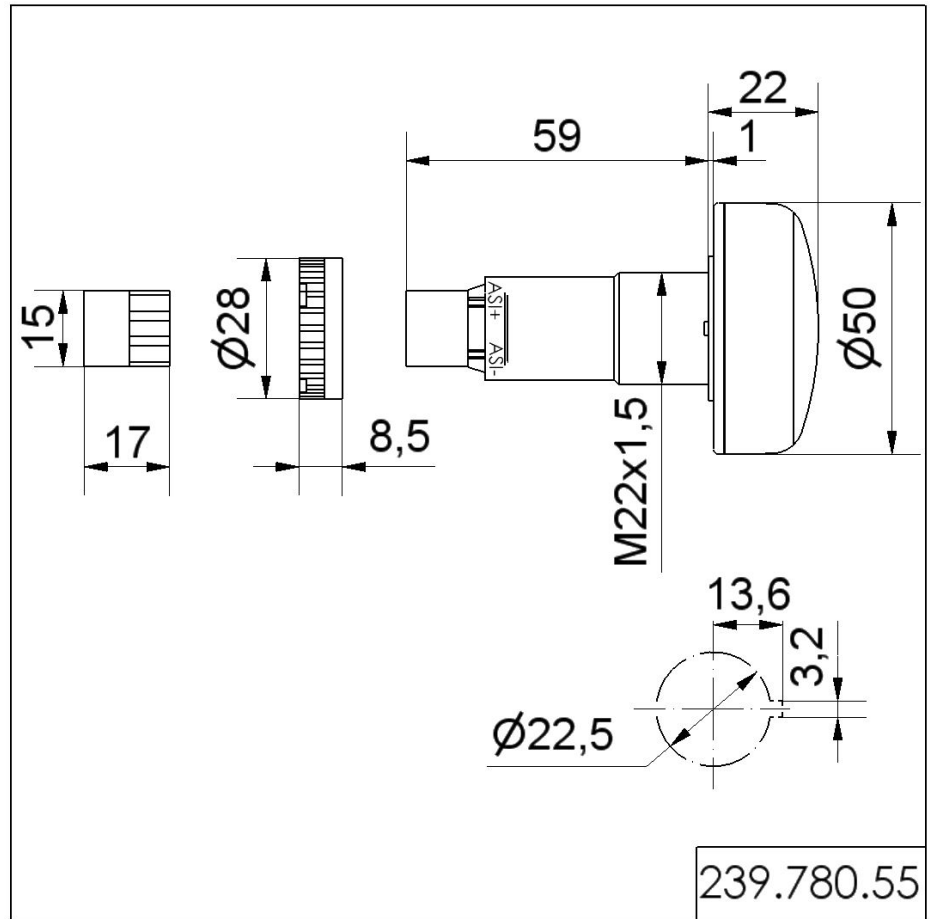
MECHANICAL DATA	
Height	81 mm
Diameter	50 mm
Materials	PC PC/ABS
Dome colour	Clear
Housing colour	Black
Protection category	IP65
Connection	Plug-in connection
cross-sectional area maximum	1,50mm <sup>2</sup> / 16AWG
Type of fixing	Built-in mounting
Working temperature minimum	-20°C
Working temperature maximum	+50°C
Weight with packaging	53 g
Product weight	36 g
ELECTRICAL DATA	
Operating voltage	24V
Operating voltage type	DC
Operating voltage tolerance	+/- 10%
Rated operational voltage	24 VDC
Rated operational current	100 mA
Rated inrush current	500 mA
Protection class	Protection class 2
Pollution degree	3 In the connection area: 2
AS-i Slave Type	A/B
AS-i Profile	S-8.A.E
OPTICAL DATA	
Light source	LED
Light colour	MC 5 colours
Optical signal image	Permanent
Service life optical	50,000 h maximum



For additional installation and mounting information, refer to the appropriate user guide at [www.werma.com](http://www.werma.com). This printed copy is for information only and is subject to alteration.

Mini installation beacon / AS-i LED Beacon (Multicolour) 239  
**AS-i LED Beacon EM 24VDC MC**

**DRAWING**



<b>Supply (BUS/AUX)</b>	BUS
<b>Master profile</b>	min. M3



For additional installation and mounting information, refer to the appropriate user guide at [www.werma.com](http://www.werma.com). This printed copy is for information only and is subject to alteration.