

## Design / LED Double Flash/Multi-Tone Sounder 444 LED Flash/Sounder BWM 32 tne 230VAC RD



Part No.: 444.100.68



### MECHANICAL DATA

|                              |                                |
|------------------------------|--------------------------------|
| Length                       | 112 mm                         |
| Width                        | 109 mm                         |
| Height                       | 150 mm                         |
| Materials                    | PC<br>PC/ABS                   |
| Dome colour                  | Red                            |
| Housing colour               | Black                          |
| Protection category          | IP65                           |
| Connection                   | Spring-type terminal           |
| cross-sectional area maximum | 2,50mm <sup>2</sup> / 14AWG    |
| Cable entry                  | Membrane grommet               |
| Cable entry minimum          | d = 1 mm                       |
| Cable entry maximum          | d = 13 mm                      |
| Type of fixing               | Base mounting<br>Wall mounting |
| Working temperature minimum  | -30°C                          |
| Working temperature maximum  | +50°C                          |
| Weight with packaging        | 540 g                          |
| Product weight               | 470 g                          |

### ELECTRICAL DATA

|                             |                          |
|-----------------------------|--------------------------|
| Operating voltage           | 230V                     |
| Operating voltage type      | AC                       |
| Operating voltage frequency | 50Hz                     |
| Operating voltage tolerance | +/- 10%                  |
| Rated operational voltage   | 230 VAC                  |
| Rated operational current   | 30 mA                    |
| Rated inrush current        | 500 mA                   |
| Protection class            | Protection class 2       |
| Pollution degree            | 3                        |
| Overvoltage category        | II                       |
| Isolation voltage           | Ui = 250V; Uimp = 2.500V |

### OPTICAL DATA

|                      |       |
|----------------------|-------|
| Light source         | LED   |
| Light colour         | Red   |
| Optical signal image | Flash |
| Flash frequency      | 1 Hz  |
| Flash output         | 2 J   |



For additional installation and mounting information, refer to the appropriate user guide at [www.werma.com](http://www.werma.com). This printed copy is for information only and is subject to alteration.

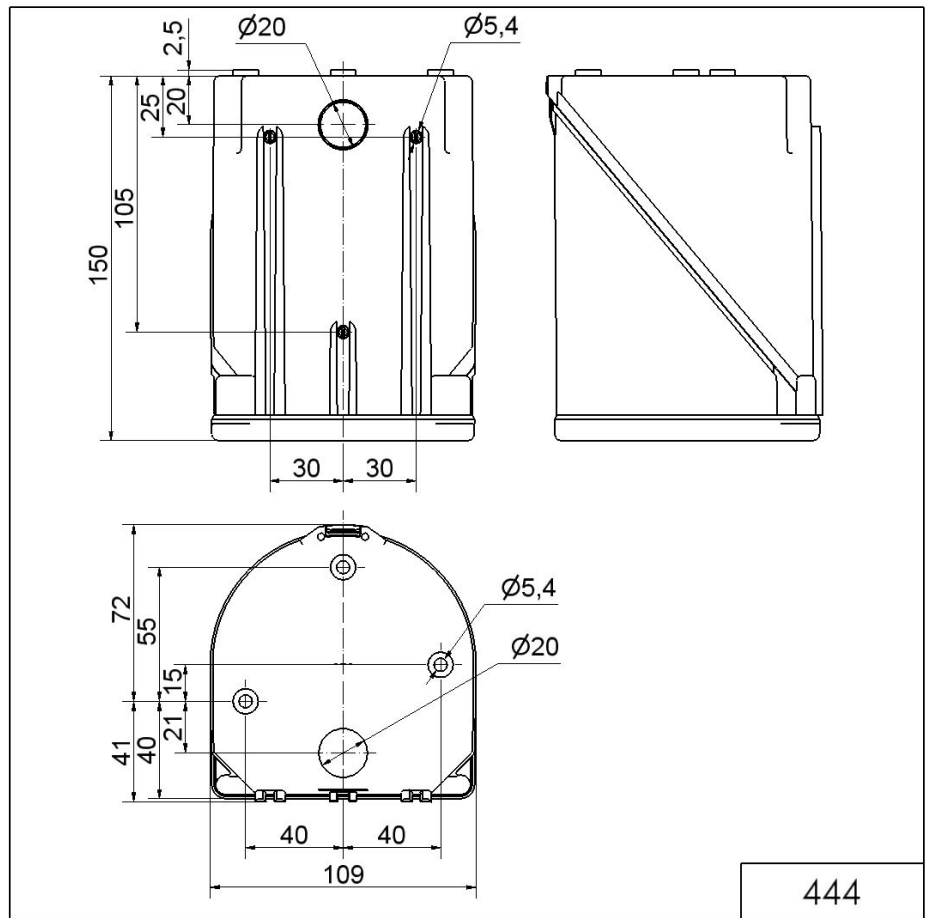
## Design / LED Double Flash/Multi-Tone Sounder 444 LED Flash/Sounder BWM 32 tne 230VAC RD

|                      |                  |
|----------------------|------------------|
| Service life optical | 50,000 h maximum |
|----------------------|------------------|

### ACUSTICAL DATA

|                               |                 |
|-------------------------------|-----------------|
| Volume/dB(max) at 1m distance | 114,0 dB (A)    |
| Acoustic signal image         | Multi-tone      |
| Number of tones               | 32 tone         |
| Acoustic service life         | 5,000 h minimum |

### DRAWING



! For additional installation and mounting information, refer to the appropriate user guide at [www.werma.com](http://www.werma.com). This printed copy is for information only and is subject to alteration.