

Design / LED-EVS-Multi-tone Sounder 444

LED-EVS-Multi-tone S. BWM 32 tne 24VAC/DCreddot design award
honourable mention 2009

Part No.: 444.110.75

RoHS

MECHANICAL DATA

Length	112 mm
Width	109 mm
Height	150 mm
Materials	PC PC/ABS
Dome colour	Red
Housing colour	Black
Protection category	IP65
Connection	Screw terminals
cross-sectional area maximum	1,50mm ² / 16AWG
Cable entry	Membrane grommet
Cable entry minimum	d = 1 mm
Cable entry maximum	d = 13 mm
Type of fixing	Base mounting Wall mounting
Working temperature minimum	-30°C
Working temperature maximum	+50°C
Weight with packaging	393 g
Product weight	327 g

ELECTRICAL DATA

Operating voltage	24V
Operating voltage type	AC/DC
Operating voltage frequency	50Hz
Operating voltage tolerance	+/- 10%
Rated operational voltage	24 VDC
Rated operational current	200 mA
Rated inrush current	500 mA
Protection class	Protection class 2
Pollution degree	3

OPTICAL DATA

Light source	LED
Light colour	Red
Optical signal image	EVS
Flash frequency	1 Hz
Service life optical	50,000 h maximum

ACUSTICAL DATA

Volume/dB(max) at 1m distance	114,0 dB (A)
-------------------------------	--------------



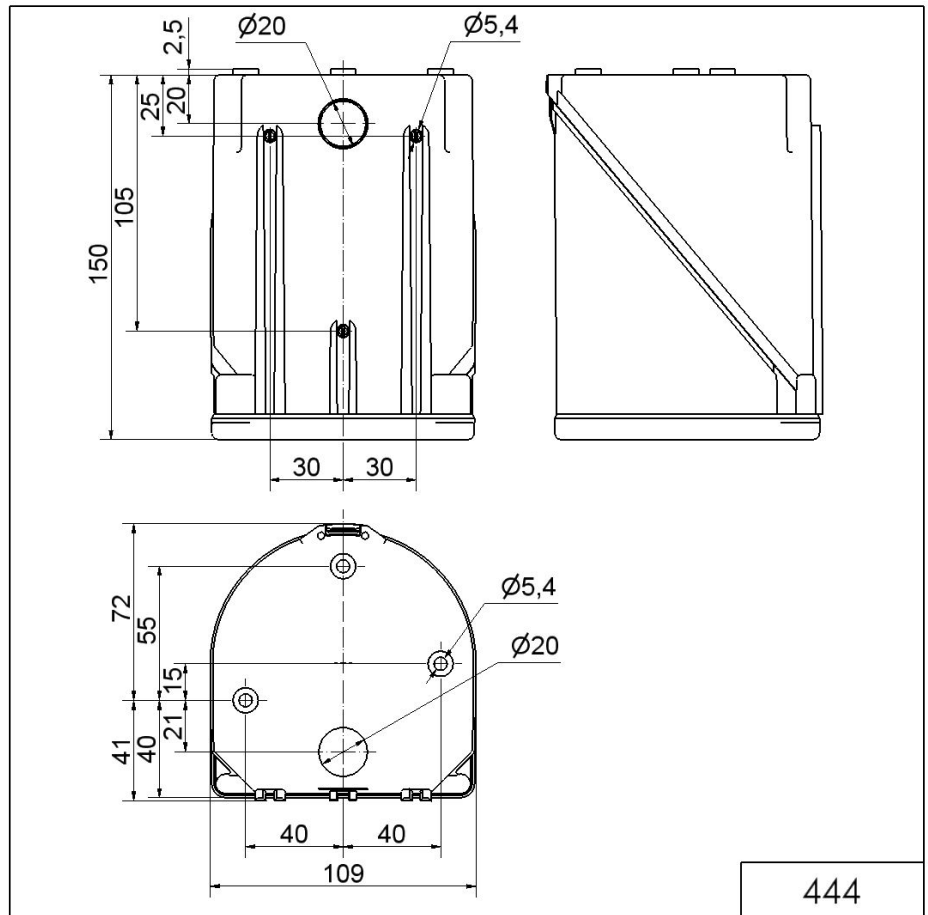
For additional installation and mounting information, refer to the appropriate user guide at www.werma.com. This printed copy is for information only and is subject to alteration.

Design / LED-EVS-Multi-tone Sounder 444

LED-EVS-Multi-tone S. BWM 32 tne 24VAC/DC

Acoustic signal image	Multi-tone
Number of tones	32 tone
Acoustic service life	5,000 h minimum

DRAWING



! For additional installation and mounting information, refer to the appropriate user guide at www.werma.com. This printed copy is for information only and is subject to alteration.