

## Mini installation beacon / LED Beacon 801 LED Perm. Beacon EM 230VAC GN



Part No.: 801.200.68



### MECHANICAL DATA

|                              |                             |
|------------------------------|-----------------------------|
| Height                       | 85 mm                       |
| Diameter                     | 57 mm                       |
| Materials                    | PC<br>PC/ABS                |
| Dome colour                  | Green                       |
| Housing colour               | Black                       |
| Protection category          | IP65                        |
| Connection                   | Screw terminals             |
| cross-sectional area maximum | 1,50mm <sup>2</sup> / 16AWG |
| Cable entry maximum          | d = 9 mm                    |
| Tension relief               | Pull-out protection         |
| Type of fixing               | Built-in mounting           |
| Working temperature minimum  | -20°C                       |
| Working temperature maximum  | +50°C                       |
| UL Type Rating               | Type 12                     |
| Weight with packaging        | 79 g                        |
| Product weight               | 60 g                        |

### ELECTRICAL DATA

|                             |                                |
|-----------------------------|--------------------------------|
| Operating voltage           | 230V                           |
| Operating voltage type      | AC                             |
| Operating voltage frequency | 50Hz                           |
| Operating voltage tolerance | +/- 10%                        |
| Rated operational voltage   | 230 VAC                        |
| Rated operational current   | 25 mA                          |
| Rated inrush current        | 500 mA                         |
| Protection class            | Protection class 2             |
| Pollution degree            | 3<br>In the connection area: 2 |
| Overvoltage category        | II                             |
| Isolation voltage           | Ui = 250V; Uimp = 2.500V       |

### OPTICAL DATA

|                      |                   |
|----------------------|-------------------|
| Light source         | LED               |
| Light colour         | Green             |
| Optical signal image | Permanent         |
| Service life optical | 100,000 h maximum |

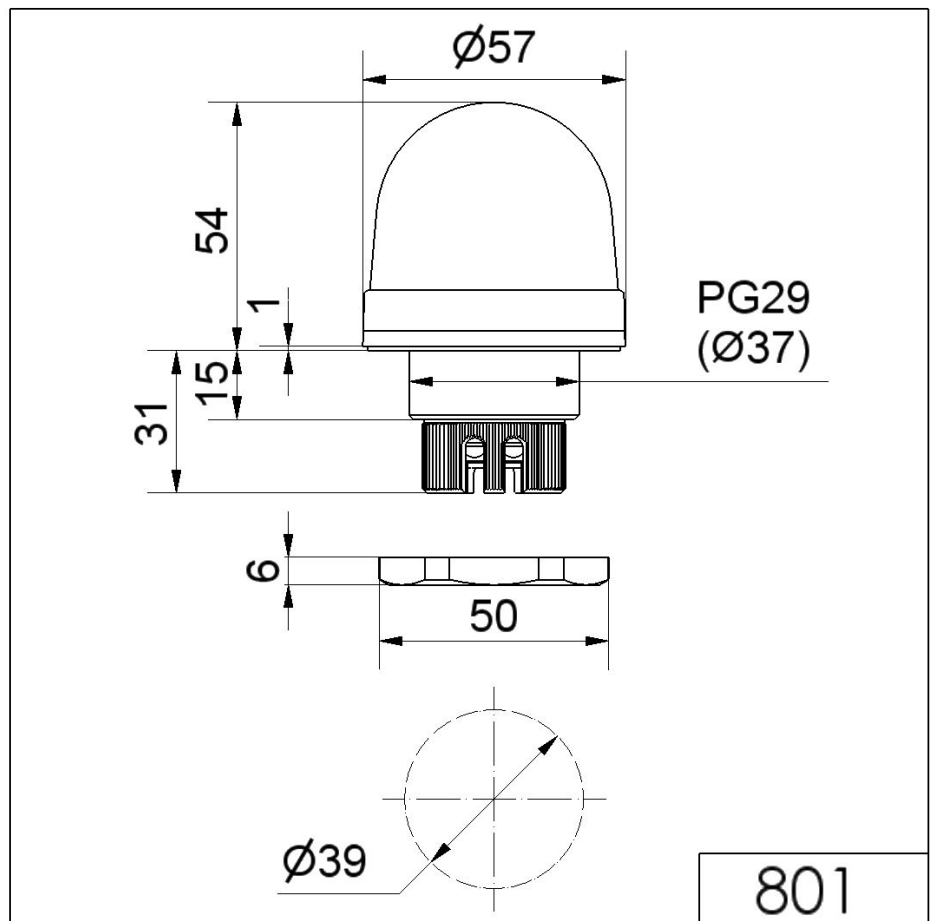


For additional installation and mounting information, refer to the appropriate user guide at [www.werma.com](http://www.werma.com). This printed copy is for information only and is subject to alteration.

Mini installation beacon / LED Beacon 801

**LED Perm. Beacon EM 230VAC GN**

## DRAWING



For additional installation and mounting information, refer to the appropriate user guide at [www.werma.com](http://www.werma.com). This printed copy is for information only and is subject to alteration.