

Mini installation beacon / LED Beacon 816
LED Perm. Beacon EM 230VAC RD



Part No.: 816.100.68



| MECHANICAL DATA | |
|------------------------------|-----------------------------|
| Height | 97 mm |
| Diameter | 75 mm |
| Materials | PC PC/ABS |
| Dome colour | Red |
| Protection category | IP65 |
| Connection | Screw terminals |
| cross-sectional area maximum | 1,50mm ² / 16AWG |
| Cable entry | Through hole |
| Cable entry maximum | d = 9 mm |
| Tension relief | Present (conforms to VDI) |
| Type of fixing | Built-in mounting |
| Working temperature minimum | -20°C |
| Working temperature maximum | +50°C |
| UL Type Rating | Type 12 |
| Weight with packaging | 122 g |
| Product weight | 98 g |

| ELECTRICAL DATA | |
|-----------------------------|--------------------------------|
| Operating voltage | 230V |
| Operating voltage type | AC |
| Operating voltage frequency | 50Hz |
| Operating voltage tolerance | +/- 10% |
| Rated operational voltage | 230 VAC |
| Rated operational current | 25 mA |
| Rated inrush current | 500 mA |
| Protection class | Protection class 2 |
| Pollution degree | 3 In the connection area: 2 |
| Overvoltage category | II |
| Isolation voltage | Ui = 250V; Uimp = 2.500V |

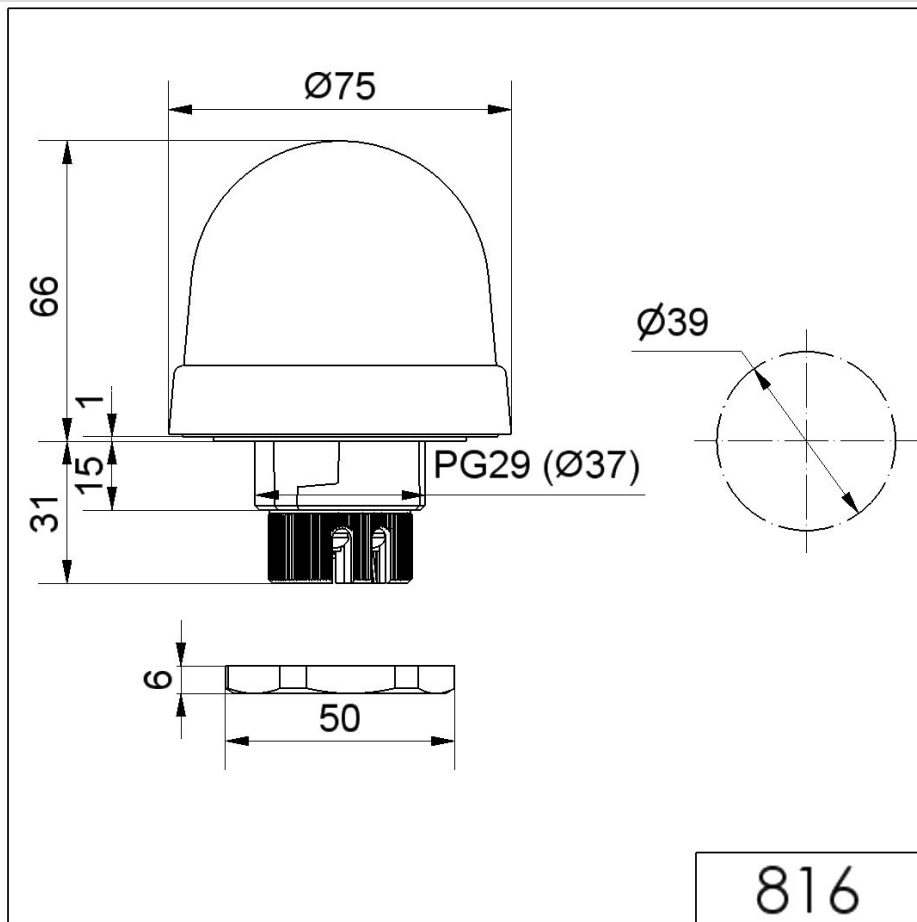
| OPTICAL DATA | |
|----------------------|-------------------|
| Light source | LED |
| Light colour | Red |
| Optical signal image | Permanent |
| Service life optical | 100,000 h maximum |

! For additional installation and mounting information, refer to the appropriate user guide at www.werma.com. This printed copy is for information only and is subject to alteration.

Mini installation beacon / LED Beacon 816

LED Perm. Beacon EM 230VAC RD

DRAWING



! For additional installation and mounting information, refer to the appropriate user guide at www.werma.com. This printed copy is for information only and is subject to alteration.