

Heavy-Duty Beacons / LED Rotating Beacon
LED Rotating Beacon BM 115-230VAC RD



Part No.: 839.120.68



| MECHANICAL DATA | |
|------------------------------|------------------------------|
| Height | 189 mm |
| Diameter | 153 mm |
| Materials | Aluminium PC |
| Dome colour | Red |
| Housing colour | Black |
| Protection category | IP66 IP67 |
| Connection | Screw terminals |
| cross-sectional area maximum | 1,50mm ² / 16AWG |
| Cable entry | Screwed cable gland |
| Cable entry minimum | d = 6 mm |
| Cable entry maximum | d = 13 mm |
| Tension relief | Present (conforms to VDI) |
| Type of fixing | Base mounting |
| Working temperature minimum | -30°C |
| Working temperature maximum | +50°C |
| Weight with packaging | 1380 g |
| Product weight | 1242 g |
| ELECTRICAL DATA | |
| Operating voltage | 115-230V |
| Operating voltage type | AC |
| Operating voltage frequency | 50Hz at 230V 60Hz at 115V |
| Operating voltage tolerance | +/- 10% |
| Rated operational voltage | 230 VAC |
| Rated operational current | 180 mA |
| Rated inrush current | 500 mA |
| Protection class | Protection class 1 |
| Pollution degree | 3 |
| Overvoltage category | II |
| Isolation voltage | Ui = 250V; Uimp = 2.500V |
| OPTICAL DATA | |
| Light source | LED |
| Light colour | Red |
| Optical signal image | Revolving |
| Service life optical | 50,000 h maximum |

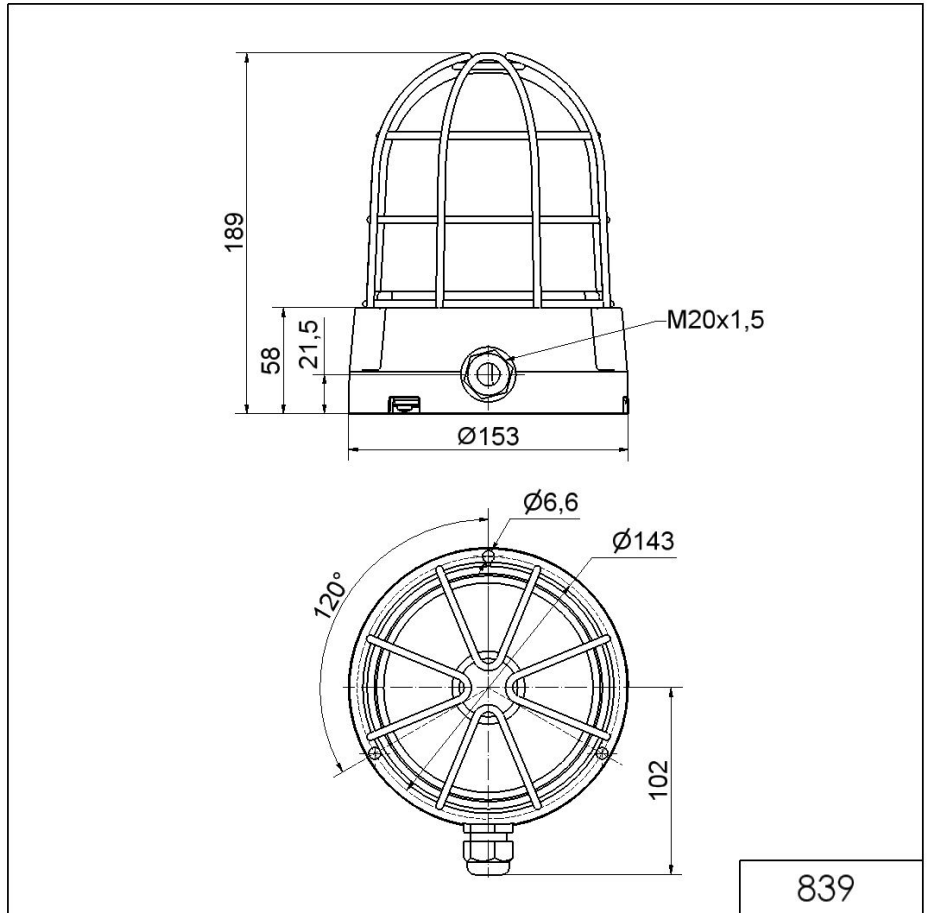
! For additional installation and mounting information, refer to the appropriate user guide at www.werma.com. This printed copy is for information only and is subject to alteration.

Heavy-Duty Beacons / LED Rotating Beacon

LED Rotating Beacon BM 115-230VAC RD

| | |
|--------------------------|-----------|
| Rotation frequency (rpm) | 180 U/min |
|--------------------------|-----------|

DRAWING



! For additional installation and mounting information, refer to the appropriate user guide at www.werma.com. This printed copy is for information only and is subject to alteration.