

Midi free-standing Beacons / Rotating Mirror Beacon 885
Rotating Mirror Beacon BM 24VAC/DC RD



Part No.: 885.100.75



MECHANICAL DATA

Height	151 mm
Diameter	98 mm
Materials	PC PC/ABS
Dome colour	Red
Housing colour	Black
Protection category	IP65
Connection	Screw terminals
cross-sectional area maximum	1,50mm ² / 16AWG
Cable entry	Rubber pinch
Cable entry minimum	d = 5 mm
Cable entry maximum	d = 7 mm
Type of fixing	Base mounting
Working temperature minimum	-30°C
Working temperature maximum	+50°C
Weight with packaging	365 g
Product weight	321 g

ELECTRICAL DATA

Operating voltage	24V
Operating voltage type	AC/DC
Operating voltage frequency	50Hz
Operating voltage tolerance	+/- 10%
Rated operational voltage	24 VDC
Rated operational current	1000 mA
Rated inrush current	2.000 mA
Protection class	Protection class 2
Pollution degree	3

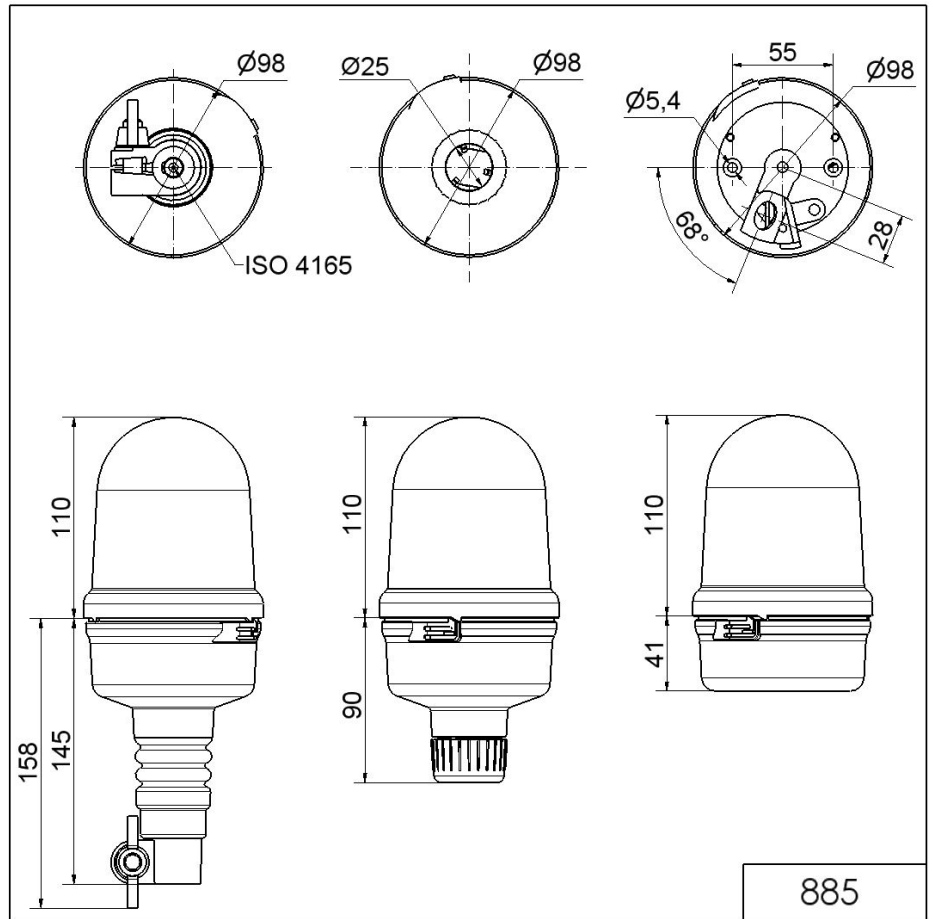
OPTICAL DATA

Light source	halogen bulb
Light colour	Red
Service life optical	5,000 h minimum
Rotation frequency (rpm)	180 U/min

! For additional installation and mounting information, refer to the appropriate user guide at www.werma.com. This printed copy is for information only and is subject to alteration.

Midi free-standing Beacons / Rotating Mirror Beacon 885
Rotating Mirror Beacon BM 24VAC/DC RD

DRAWING



For additional installation and mounting information, refer to the appropriate user guide at www.werma.com. This printed copy is for information only and is subject to alteration.