

Maxi free-standing Beacons / Double-Flash Light 838
Double Flash Beacon BM 24VDC YE



Part No.: 838.300.55



| MECHANICAL DATA | |
|------------------------------|-----------------------------|
| Height | 218 mm |
| Diameter | 142 mm |
| Materials | PC PC/ABS |
| Dome colour | Yellow |
| Housing colour | Black |
| Protection category | IP65 |
| Connection | Screw terminals |
| cross-sectional area maximum | 2,50mm ² / 14AWG |
| Cable entry | Rubber pinch |
| Cable entry minimum | d = 5 mm |
| Cable entry maximum | d = 7 mm |
| Type of fixing | Base mounting |
| Working temperature minimum | -30°C |
| Working temperature maximum | +50°C |
| Weight with packaging | 650 g |
| Product weight | 555 g |

| ELECTRICAL DATA | |
|-----------------------------|--------------------|
| Operating voltage | 24V |
| Operating voltage type | DC |
| Operating voltage tolerance | +/- 10% |
| Rated operational voltage | 24 VDC |
| Rated operational current | 800 mA |
| Rated inrush current | 2.000 mA |
| Protection class | Protection class 2 |
| Pollution degree | 3 |

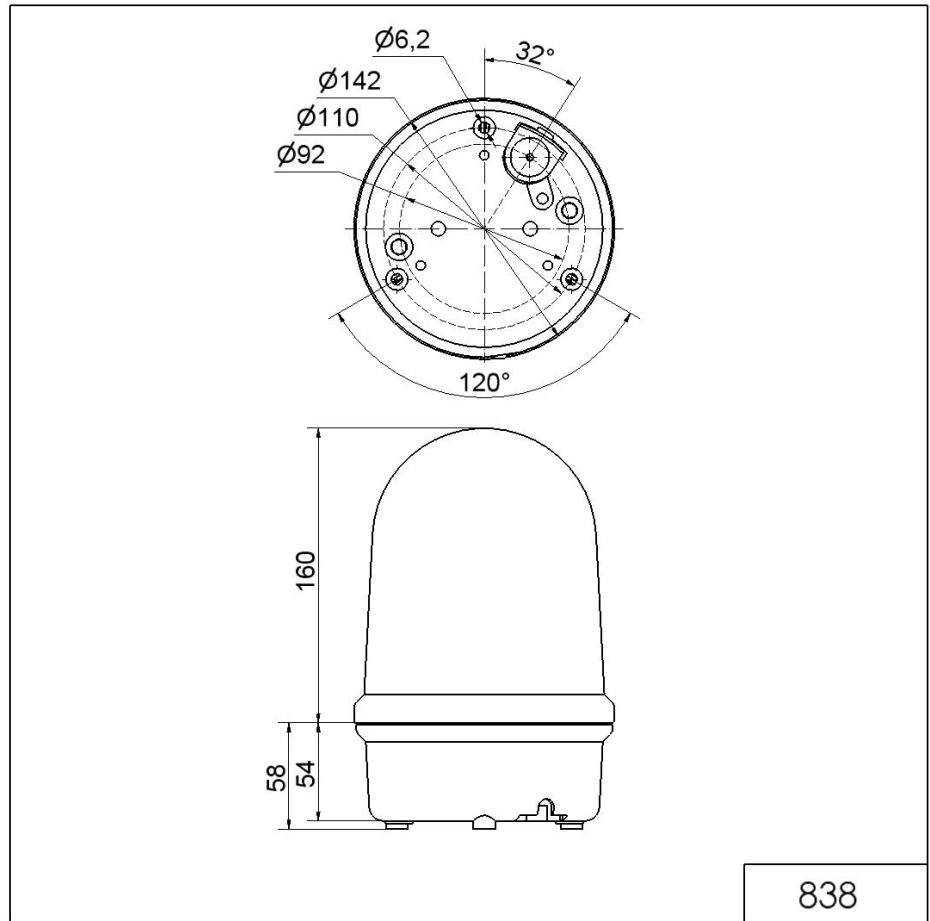
| OPTICAL DATA | |
|----------------------|---------------------------|
| Light source | Xenon |
| Light colour | Yellow |
| Optical signal image | Double flash |
| Flash frequency | 1 Hz |
| Flash output | 15 J |
| Service life optical | 4 million flashes minimum |

! For additional installation and mounting information, refer to the appropriate user guide at www.werma.com. This printed copy is for information only and is subject to alteration.

Maxi free-standing Beacons / Double-Flash Light 838

Double Flash Beacon BM 24VDC YE

DRAWING



! For additional installation and mounting information, refer to the appropriate user guide at www.werma.com. This printed copy is for information only and is subject to alteration.