

Maxi free-standing Beacons / Rotating Mirror Light 883
Rotating Mirror Beacon BM 24VAC/DC YE



Part No.: **883.300.75**

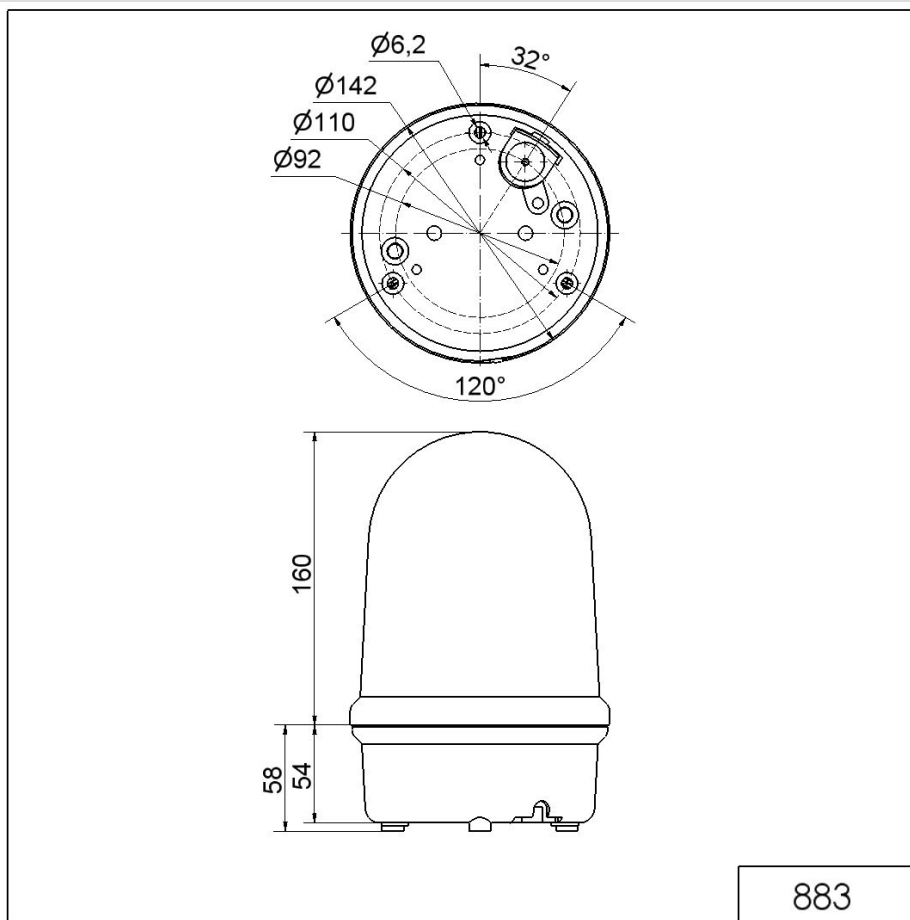


MECHANICAL DATA	
Height	218 mm
Diameter	142 mm
Materials	PC PC/ABS
Dome colour	Yellow
Housing colour	Black
Protection category	IP65
Connection	Screw terminals
cross-sectional area maximum	1,50mm ² / 16AWG
Cable entry	Rubber pinch
Cable entry minimum	d = 5 mm
Cable entry maximum	d = 7 mm
Type of fixing	Base mounting
Working temperature minimum	-30°C
Working temperature maximum	+50°C
Weight with packaging	715 g
Product weight	626 g
ELECTRICAL DATA	
Operating voltage	24V
Operating voltage type	AC/DC
Operating voltage frequency	50Hz
Operating voltage tolerance	+/- 10%
Rated operational voltage	24 VDC
Rated operational current	2 mA
Rated inrush current	1.600 mA
Protection class	Protection class 2
Pollution degree	3
OPTICAL DATA	
Light source	halogen bulb
Light colour	Yellow
Service life optical	5,000 h minimum
Rotation frequency (rpm)	180 U/min



For additional installation and mounting information, refer to the appropriate user guide at www.werma.com. This printed copy is for information only and is subject to alteration.

Maxi free-standing Beacons / Rotating Mirror Light 883

Rotating Mirror Beacon BM 24VAC/DC YE**DRAWING**

For additional installation and mounting information, refer to the appropriate user guide at www.werma.com. This printed copy is for information only and is subject to alteration.