

Maxi free-standing Beacons / Revolving Signal Light 884

**Revolving Beacon BM 24VAC/DC GN**



Part No.: 884.200.75

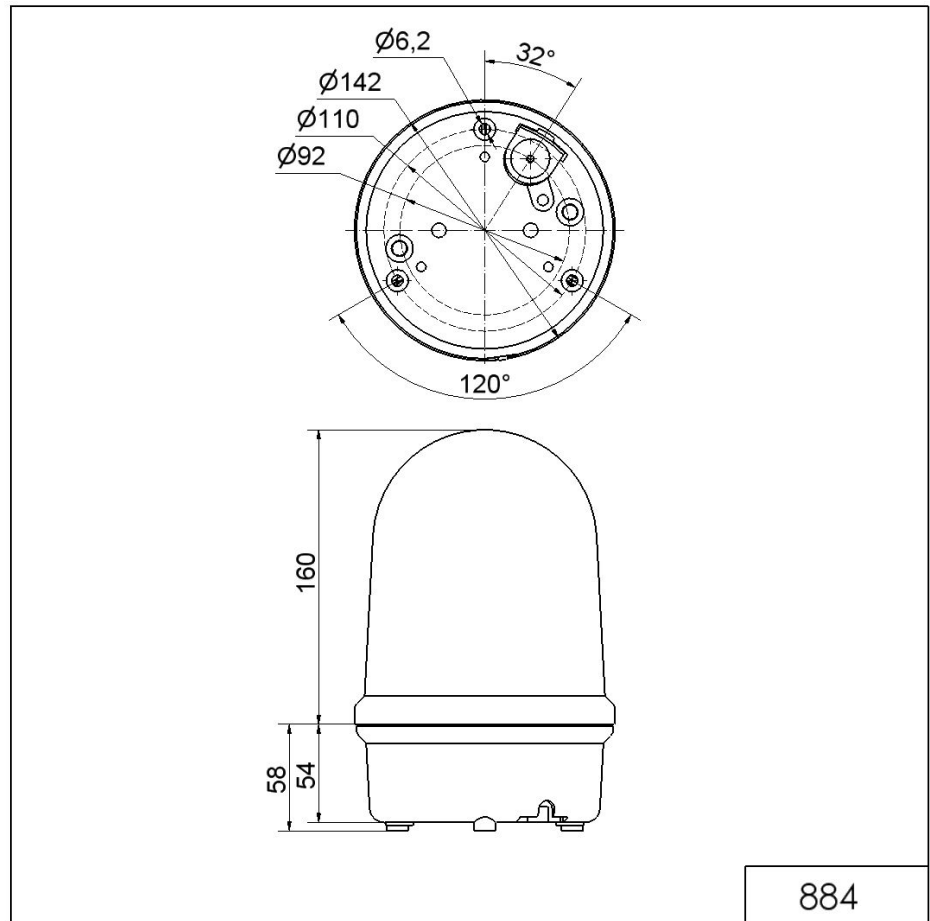


| MECHANICAL DATA              |                             |
|------------------------------|-----------------------------|
| Height                       | 218 mm                      |
| Diameter                     | 142 mm                      |
| Materials                    | PC<br>PC/ABS                |
| Dome colour                  | Green                       |
| Housing colour               | Black                       |
| Protection category          | IP65                        |
| Connection                   | Screw terminals             |
| cross-sectional area maximum | 2,50mm <sup>2</sup> / 14AWG |
| Cable entry                  | Rubber pinch                |
| Cable entry minimum          | d = 5 mm                    |
| Cable entry maximum          | d = 7 mm                    |
| Type of fixing               | Base mounting               |
| Working temperature minimum  | -30°C                       |
| Working temperature maximum  | +50°C                       |
| Weight with packaging        | 764 g                       |
| Product weight               | 670 g                       |
| ELECTRICAL DATA              |                             |
| Operating voltage            | 24V                         |
| Operating voltage type       | AC/DC                       |
| Operating voltage frequency  | 50Hz                        |
| Operating voltage tolerance  | +/- 10%                     |
| Rated operational voltage    | 24 VDC                      |
| Rated operational current    | 2 mA                        |
| Rated inrush current         | 1.600 mA                    |
| Protection class             | Protection class 2          |
| Pollution degree             | 3                           |
| OPTICAL DATA                 |                             |
| Light source                 | halogen bulb                |
| Light colour                 | Green                       |
| Service life optical         | 5,000 h minimum             |
| Rotation frequency (rpm)     | 60 U/min                    |

! For additional installation and mounting information, refer to the appropriate user guide at [www.werma.com](http://www.werma.com). This printed copy is for information only and is subject to alteration.

Maxi free-standing Beacons / Revolving Signal Light 884  
**Revolving Beacon BM 24VAC/DC GN**

**DRAWING**



! For additional installation and mounting information, refer to the appropriate user guide at [www.werma.com](http://www.werma.com). This printed copy is for information only and is subject to alteration.