

Traffic Lights / Permanent-/ Traffic Light 890

**Permanent Beacon BWM 12-230VAC/DC CL**



Part No.: 890.400.00



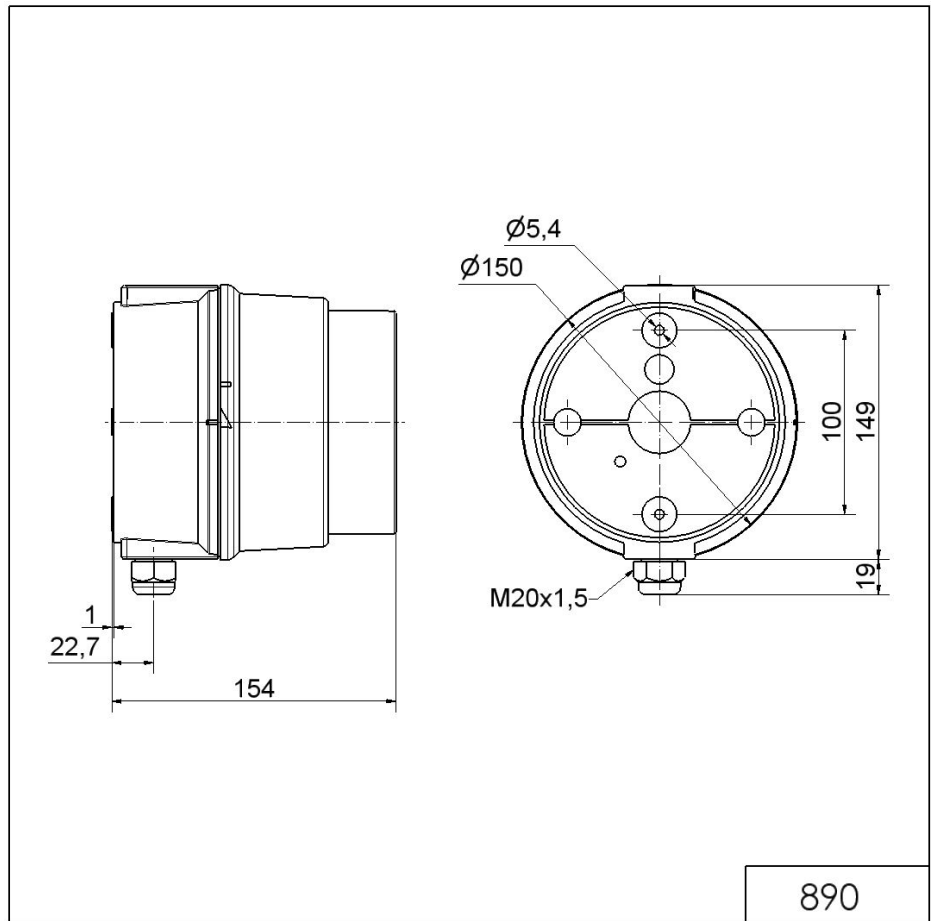
MECHANICAL DATA	
Length	154 mm
Height	168 mm
Diameter	150 mm
Materials	PC PC/ABS
Dome colour	Clear
Housing colour	Grey
Protection category	IP65
Connection	Insulation-displacement contac
cross-sectional area maximum	1,50mm <sup>2</sup> / 16AWG
Cable entry	Screwed cable gland
Cable entry minimum	d = 5 mm d = 6 mm
Cable entry maximum	d = 12 mm
Tension relief	Present (conforms to VDI)
Type of fixing	Base mounting Wall mounting
Working temperature minimum	-30°C
Working temperature maximum	+50°C
Weight with packaging	526 g
Product weight	455 g
ELECTRICAL DATA	
Operating voltage	12-230V
Operating voltage type	AC/DC
Protection class	Protection class 2
Pollution degree	3
Overvoltage category	II
Isolation voltage	U <sub>i</sub> = 250V; U <sub>imp</sub> = 2.500V
Power illuminant	max. 25W
OPTICAL DATA	
Light colour	White
Service life optical	depends on bulb


! For additional installation and mounting information, refer to the appropriate user guide at [www.werma.com](http://www.werma.com). This printed copy is for information only and is subject to alteration.

Traffic Lights / Permanent-/ Traffic Light 890

**Permanent Beacon BWM 12-230VAC/DC CL**

**DRAWING**



 For additional installation and mounting information, refer to the appropriate user guide at [www.werma.com](http://www.werma.com). This printed copy is for information only and is subject to alteration.