

LED Light / LED Traffic Light 890 / Accessories  
**Multi-t.sounder WM 32 tne 115VAC GY**



Part No.: 190.000.67



| MECHANICAL DATA              |                                     |
|------------------------------|-------------------------------------|
| Width                        | 127 mm                              |
| Height                       | 169 mm                              |
| Diameter                     | 150 mm                              |
| Materials                    | PC/ABS                              |
| Housing colour               | Grey                                |
| Protection category          | IP65                                |
| Connection                   | Screw terminals                     |
| cross-sectional area minimum | 0,50mm <sup>2</sup> / 20AWG         |
| cross-sectional area maximum | 1,50mm <sup>2</sup> / 16AWG         |
| Cable entry                  | Rubber pinch<br>Screwed cable gland |
| Cable entry minimum          | d = 6 mm                            |
| Cable entry maximum          | d = 12 mm                           |
| Tension relief               | Present (conforms to VDI)           |
| Type of fixing               | Wall mounting                       |
| Working temperature minimum  | -30°C                               |
| Working temperature maximum  | +50°C                               |
| Weight with packaging        | 710 g                               |
| Product weight               | 710 g                               |

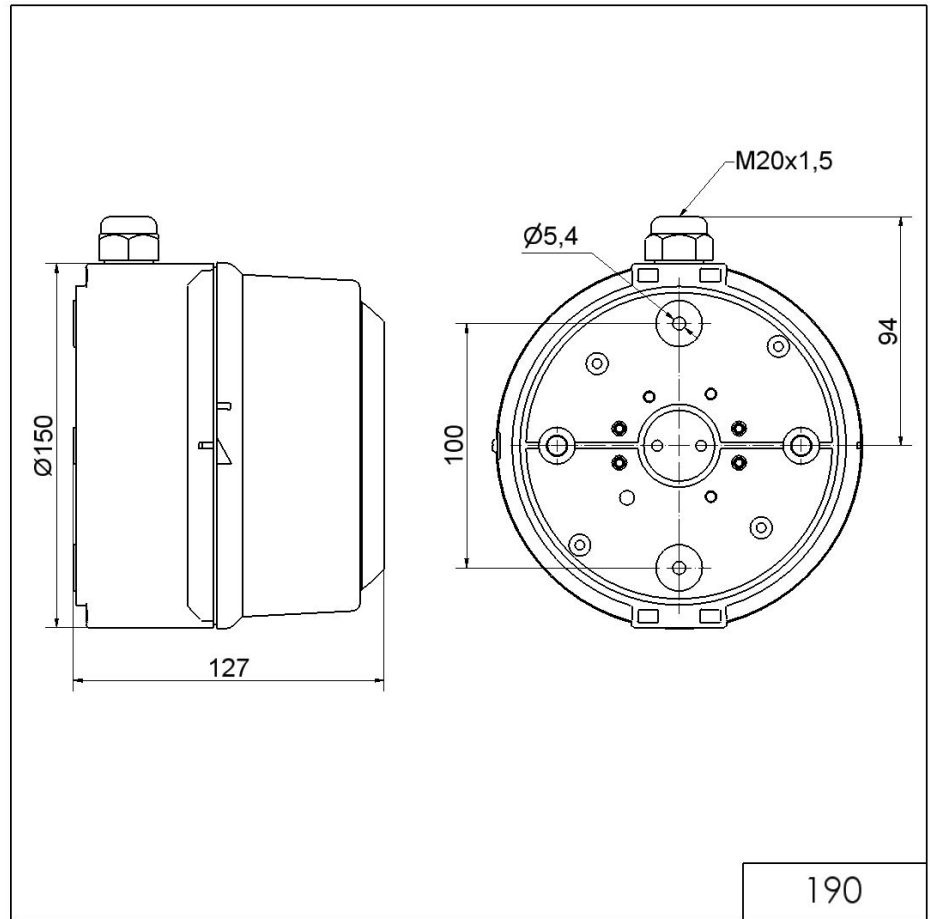
| ELECTRICAL DATA             |                          |
|-----------------------------|--------------------------|
| Operating voltage           | 115V                     |
| Operating voltage type      | AC                       |
| Operating voltage frequency | 60Hz                     |
| Operating voltage tolerance | +/- 10%                  |
| Rated operational voltage   | 115 VAC                  |
| Rated operational current   | 55 mA                    |
| Rated inrush current        | 55 mA                    |
| Protection class            | Protection class 2       |
| Pollution degree            | 3                        |
| Overvoltage category        | II                       |
| Isolation voltage           | Ui = 250V; Uimp = 2.500V |

| ACUSTICAL DATA                |                 |
|-------------------------------|-----------------|
| Volume/dB(max) at 1m distance | 110,0 dB (A)    |
| Acoustic signal image         | Multi-tone      |
| Number of tones               | 32 tone         |
| Acoustic service life         | 5,000 h minimum |

**!** For additional installation and mounting information, refer to the appropriate user guide at [www.werma.com](http://www.werma.com). This printed copy is for information only and is subject to alteration.

LED Light / LED Traffic Light 890 / Accessories  
**Multi-t.sounder WM 32 tne 115VAC GY**

DRAWING



! For additional installation and mounting information, refer to the appropriate user guide at [www.werma.com](http://www.werma.com). This printed copy is for information only and is subject to alteration.