

Monitorable Beacons / Monitorable LED Signal Beacon 806

**Monit. LED Beacon BWM 24VDC YE**

Part No.: 806.350.55

**MECHANICAL DATA**

Height	108 mm
Diameter	75 mm
Materials	PA-GF PC PC/ABS
Dome colour	Yellow
Housing colour	Black
Protection category	IP65
Connection	Spring-type terminal
cross-sectional area maximum	2,50mm <sup>2</sup> / 14AWG
Cable entry	Through hole
Cable entry maximum	d = 14 mm
Type of fixing	Base mounting Wall mounting
Working temperature minimum	-20°C
Working temperature maximum	+50°C
UL Type Rating	Type 12
Weight with packaging	154 g
Product weight	121 g

**ELECTRICAL DATA**

Operating voltage	24V
Operating voltage type	DC
Operating voltage tolerance	+/- 10%
Rated operational voltage	24 VDC
Rated operational current	60 mA
Rated inrush current	60 mA
Protection class	Protection class 2
Pollution degree	3

**OPTICAL DATA**

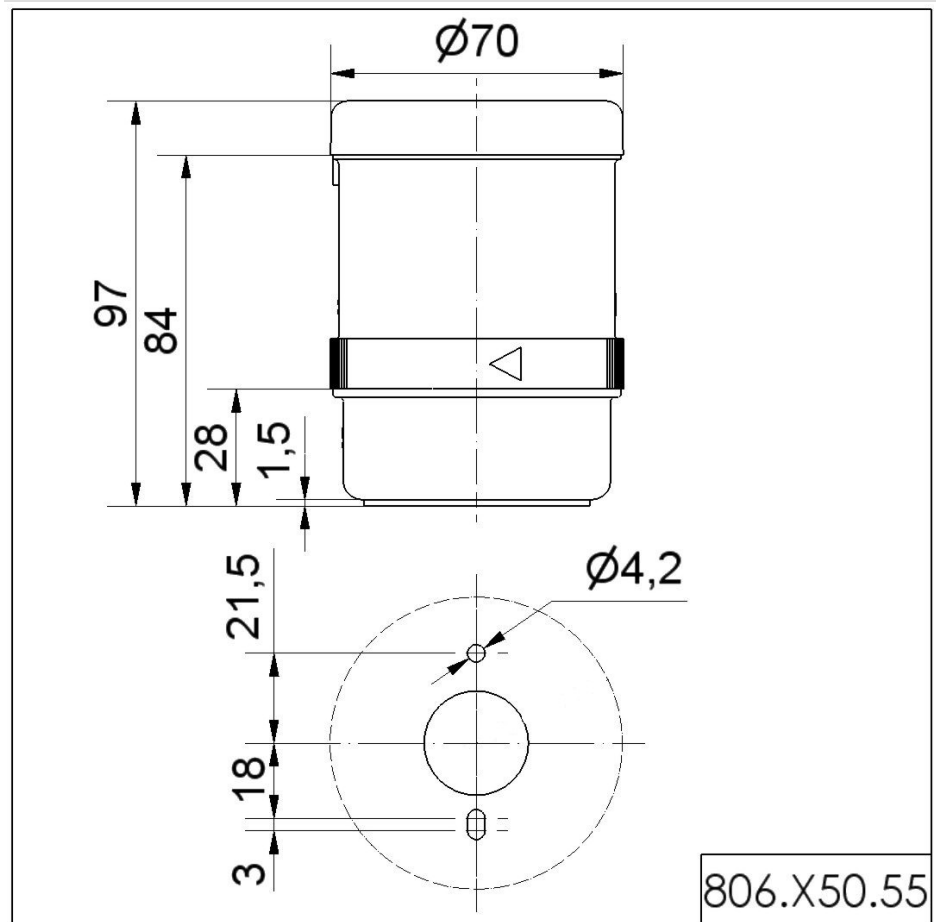
Light source	LED
Light colour	Yellow
Optical signal image	Permanent
Service life optical	100,000 h maximum



For additional installation and mounting information, refer to the appropriate user guide at [www.werma.com](http://www.werma.com). This printed copy is for information only and is subject to alteration.

Monitorable Beacons / Monitorable LED Signal Beacon 806  
**Monit. LED Beacon BWM 24VDC YE**

DRAWING



! For additional installation and mounting information, refer to the appropriate user guide at [www.werma.com](http://www.werma.com). This printed copy is for information only and is subject to alteration.