

Completely pre-assembled Signal Towers / CleanSIGN  
**CleanSIGN BM Contin. tone 24VDC MC**



Part No.:	695.010.55
Series:	CleanSIGN

**MECHANICAL DATA**

Length	152 mm
Width	112 mm
Height	390 mm
Diameter	77 mm
Materials	PA
Dome colour	Clear
Housing colour	Black
Protection category	IP67 IP69K
Connection	Screw terminals
cross-sectional area maximum	1,50mm <sup>2</sup> / 16AWG
Type of fixing	Base mounting
Service life optical	50,000 h maximum
Acoustic service life	5,000 h minimum
Working temperature minimum	-30°C
Working temperature maximum	+50°C
Weight with packaging	584 g
Product weight	444 g

**ELECTRICAL DATA**

Operating voltage	24V
Operating voltage type	DC
Operating voltage tolerance	+/- 10%
Rated operational voltage	24 VDC
Rated operational current	270 mA
Rated inrush current	1.000 mA
Protection class	Protection class 2
Pollution degree	3

**OPTICAL DATA**

Light source	LED
Light colour	MC 7 colours
Optical signal image	Blink EVS Permanent
Blink frequency (Hz)	1 Hz

**ACUSTICAL DATA**

Volume/dB(max) at 1m distance	85,0 dB (A)
Acoustic signal image	Continuous tone

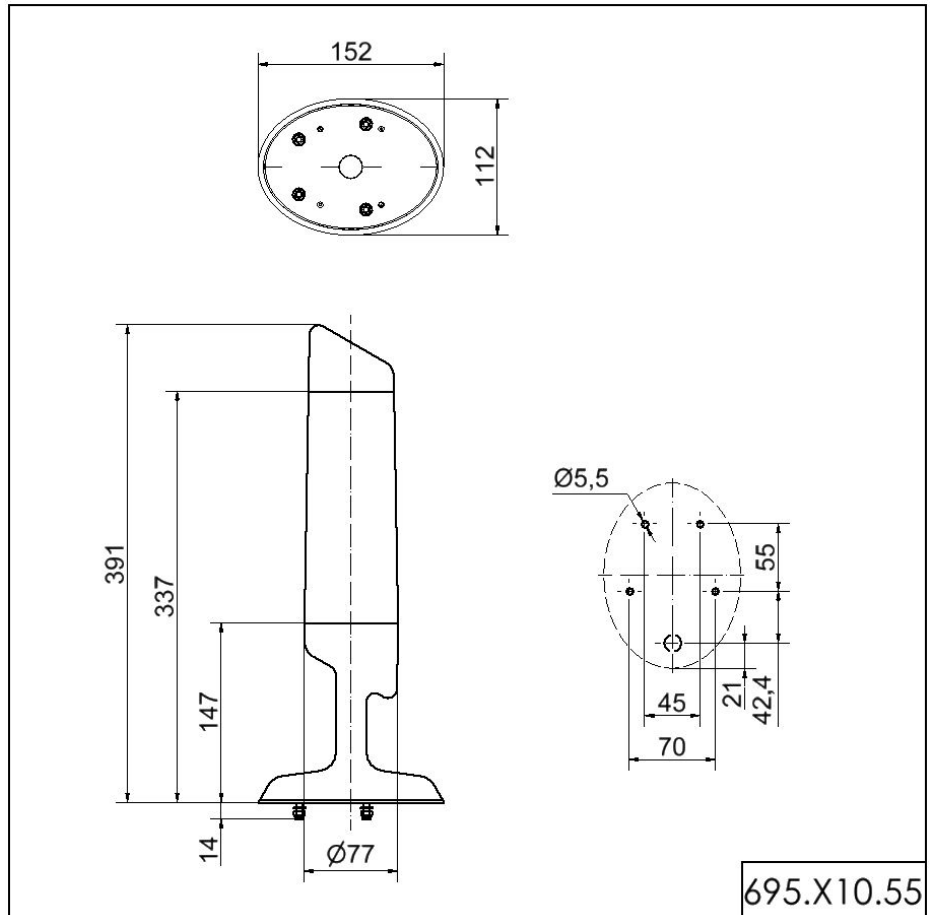


For additional installation and mounting information, refer to the appropriate user guide at [www.werma.com](http://www.werma.com). This printed copy is for information only and is subject to alteration.

Completely pre-assembled Signal Towers / CleanSIGN  
**CleanSIGN BM Contin. tone 24VDC MC**

Audio frequency	2400 Hz
-----------------	---------

**DRAWING**



! For additional installation and mounting information, refer to the appropriate user guide at [www.werma.com](http://www.werma.com). This printed copy is for information only and is subject to alteration.