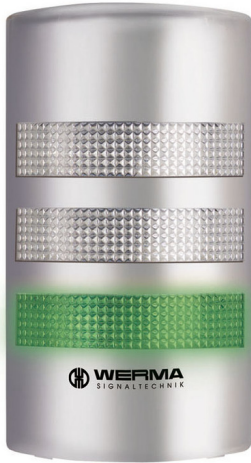


FlatSIGN / FlatSIGN with Audible Signal
FlatSIGN sr WM 8 tne 24VAC/DC GN/YE/RD



| | |
|-----------|------------|
| Part No.: | 691.400.55 |
| Series: | FlatSIGN |



| MECHANICAL DATA | |
|------------------------------|-----------------------------|
| Length | 105 mm |
| Width | 45 mm |
| Height | 195 mm |
| Materials | PC PC/ABS |
| Dome colour | Clear |
| Housing colour | Silver |
| Protection category | IP65 |
| Connection | Screw terminals |
| cross-sectional area minimum | 0,50mm ² / 20AWG |
| cross-sectional area maximum | 1,50mm ² / 16AWG |
| Cable entry | Membrane grommet |
| Cable entry minimum | d = 1 mm |
| Cable entry maximum | d = 13 mm |
| Tension relief | Present (conforms to VDI) |
| Type of fixing | Wall mounting |
| Working temperature minimum | -30°C |
| Working temperature maximum | +50°C |
| UL Type Rating | Type 5 |
| Weight with packaging | 295 g |
| Product weight | 240 g |

| ELECTRICAL DATA | |
|-----------------------------|--------------------|
| Operating voltage | 24V |
| Operating voltage type | AC/DC |
| Operating voltage frequency | 50Hz |
| Operating voltage tolerance | +/- 10% |
| Rated operational voltage | 24 VDC |
| Rated operational current | 30 mA |
| Rated inrush current | 280 mA |
| Protection class | Protection class 2 |
| Pollution degree | 3 |

| OPTICAL DATA | |
|--------------|------------------------|
| Light source | LED |
| Light colour | Green Red Yellow |



For additional installation and mounting information, refer to the appropriate user guide at www.werma.com. This printed copy is for information only and is subject to alteration.

FlatSIGN / FlatSIGN with Audible Signal

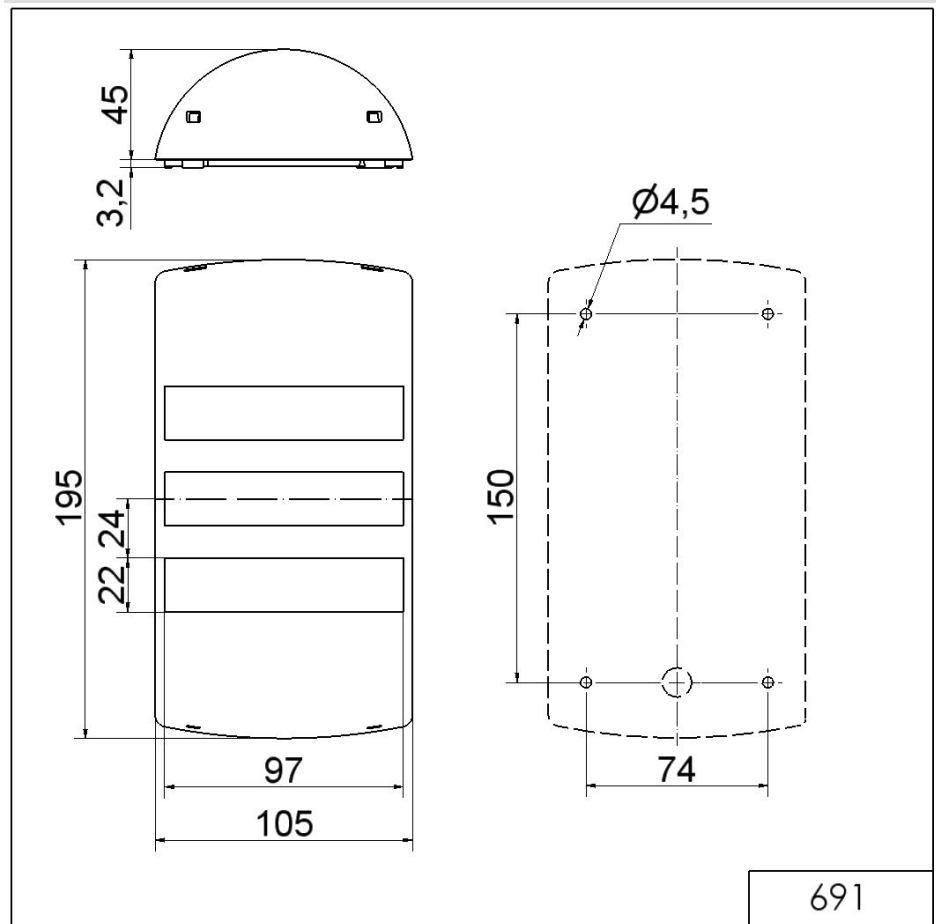
FlatSIGN sr WM 8 tne 24VAC/DC GN/YE/RD

| | |
|----------------------|--------------------|
| Optical signal image | Blink Permanent |
| Blink frequency (Hz) | 1 Hz |
| Service life optical | 50,000 h maximum |

ACUSTICAL DATA

| | |
|-------------------------------|-----------------|
| Volume/dB(max) at 1m distance | 80,0 dB (A) |
| Acoustic signal image | Multi-tone |
| Number of tones | 8 tone |
| Audio frequency | 2400 Hz |
| Acoustic service life | 5,000 h minimum |

DRAWING



! For additional installation and mounting information, refer to the appropriate user guide at www.werma.com. This printed copy is for information only and is subject to alteration.