

KombiSIGN 71 / Audible Devices 645

Buzzer element contin/pulse 24VAC/DC BK

Part No.:	645.800.75
Series:	KombiSIGN 71

**MECHANICAL DATA**

Height	72 mm
Diameter	70 mm
Materials	PC
Dome colour	Green Red Yellow
Housing colour	Black
Protection category	IP65
Acoustic service life	5,000 h minimum
Working temperature minimum	-20°C
Working temperature maximum	+50°C
UL Type Rating	Type 12
Weight with packaging	87 g
Product weight	72 g

ELECTRICAL DATA

Operating voltage	24V
Operating voltage type	AC/DC
Operating voltage frequency	50Hz
Operating voltage tolerance	+/- 10%
Rated operational voltage	24 VDC
Rated operational current	25 mA
Rated inrush current	450 mA
Protection class	Protection class 2
Pollution degree	3

ACUSTICAL DATA

Volume/dB(max) at 1m distance	85,0 dB (A)
Acoustic signal image	Continuous tone Pulse tone
Audio frequency	1750 Hz

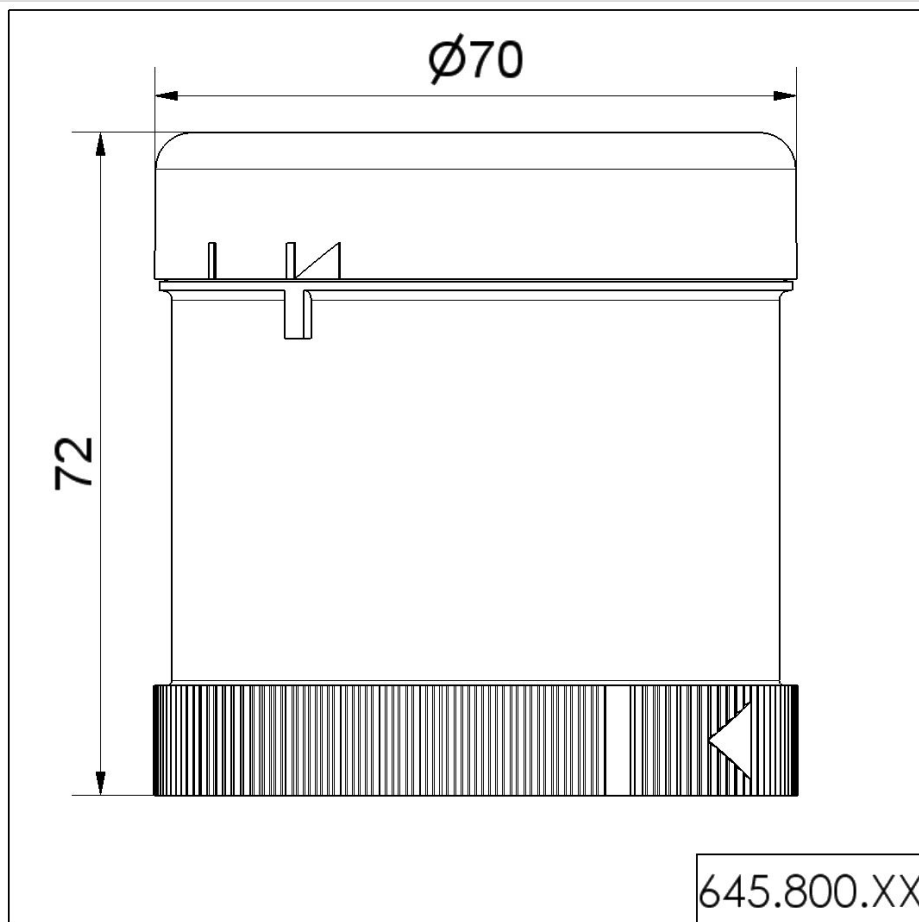


For additional installation and mounting information, refer to the appropriate user guide at www.werma.com. This printed copy is for information only and is subject to alteration.

KombiSIGN 71 / Audible Devices 645

Buzzer element contin/pulse 24VAC/DC BK

DRAWING



For additional installation and mounting information, refer to the appropriate user guide at www.werma.com. This printed copy is for information only and is subject to alteration.