

KombiSIGN 71 / Audible Devices 645

**Buzzer element contin/pulse 230VAC BK**



Part No.:	645.800.68
Series:	KombiSIGN 71



**MECHANICAL DATA**

Height	72 mm
Diameter	70 mm
Materials	PC
Housing colour	Black
Protection category	IP65
Acoustic service life	5,000 h minimum
Working temperature minimum	-20°C
Working temperature maximum	+50°C
UL Type Rating	Type 12
Weight with packaging	87 g
Product weight	72 g

**ELECTRICAL DATA**

Operating voltage	230V
Operating voltage type	AC
Operating voltage frequency	50Hz
Operating voltage tolerance	+/- 10%
Rated operational voltage	230 VAC
Rated operational current	35 mA
Rated inrush current	450 mA
Protection class	Protection class 2
Pollution degree	3
Overvoltage category	II
Isolation voltage	Ui = 250V; Uimp = 2.500V

**ACUSTICAL DATA**

Volume/dB(max) at 1m distance	85,0 dB (A)
Acoustic signal image	Continuous tone Pulse tone
Audio frequency	1750 Hz

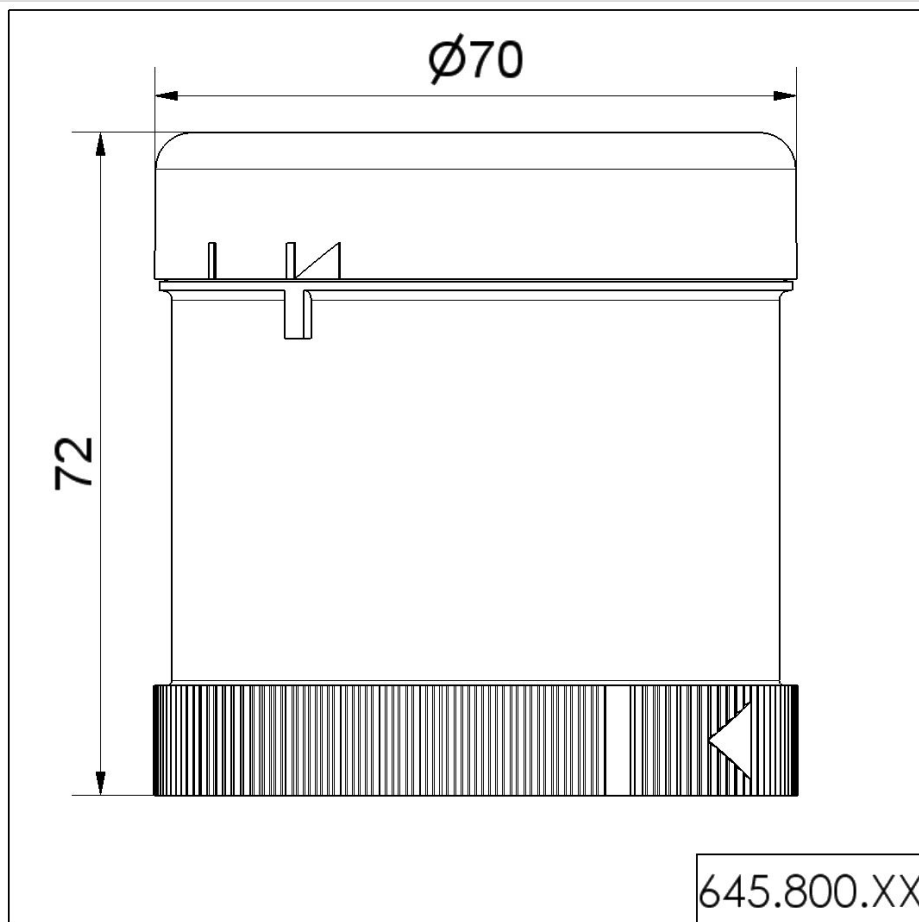


For additional installation and mounting information, refer to the appropriate user guide at [www.werma.com](http://www.werma.com). This printed copy is for information only and is subject to alteration.

KombiSIGN 71 / Audible Devices 645

**Buzzer element contin/pulse 230VAC BK**

## DRAWING



For additional installation and mounting information, refer to the appropriate user guide at [www.werma.com](http://www.werma.com). This printed copy is for information only and is subject to alteration.