

## Modular Signal Towers / KombiSIGN 72 KS72 Design BM 24VAC/DC GN/YE/RD



Part No.:	649.001.02
Series:	KombiSIGN 72

MECHANICAL DATA	
Height	299 mm
Diameter	70 mm
Materials	PA-GF PC
Dome colour	Clear
Housing colour	Silver
Protection category	IP65
Connection	Spring-type terminal
cross-sectional area maximum	1,50mm <sup>2</sup> / 16AWG
Cable entry	Through hole
Cable entry maximum	d = 11 mm
Tension relief	Not present
Type of fixing	Base mounting
Service life optical	50,000 h maximum
Working temperature minimum	-20°C
Working temperature maximum	+50°C
Weight with packaging	403 g
Product weight	358 g

ELECTRICAL DATA	
Operating voltage	24V
Operating voltage type	AC/DC
Operating voltage frequency	50Hz
Operating voltage tolerance	+/- 10%
Rated operational voltage	24 VDC
Rated operational current	240 mA
Rated inrush current	<500mA
Protection class	Protection class 2
Pollution degree	3

OPTICAL DATA	
Light source	LED
Light colour	Green Red Yellow
Optical signal image	Permanent
Blink frequency (Hz)	1 Hz

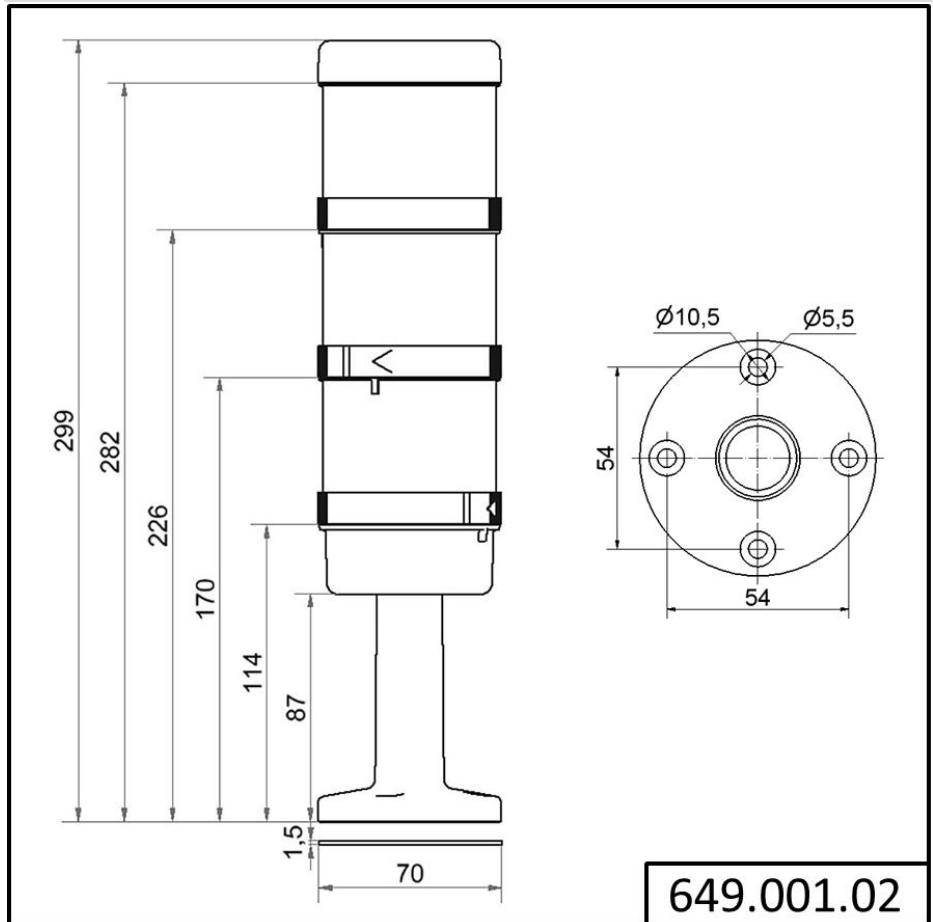


For additional installation and mounting information, refer to the appropriate user guide at [www.werma.com](http://www.werma.com). This printed copy is for information only and is subject to alteration.

Modular Signal Towers / KombiSIGN 72

**KS72 Design BM 24VAC/DC GN/YE/RD**

**DRAWING**



! For additional installation and mounting information, refer to the appropriate user guide at [www.werma.com](http://www.werma.com). This printed copy is for information only and is subject to alteration.