

# Model **C1150/ATC1250**

**No live connections.**

**Model C1150**

- 7/8" x 1-3/4" (22 mm x 44 mm) opening.
- Adjustable cam-lock drag brake.

**Model ATC1250**

- Pneumatic tires.
- 4" x 5-1/2" (102 mm x 140 mm) opening.
- Adjustable cam-lock drag brake.

- For:
- Industrial Maintenance
  - Construction
  - Agriculture
  - Grounds Maintenance



**PARTS DRAWING – MODEL C1150 – ISO 48; MODEL ATC1250 – ISO 87**

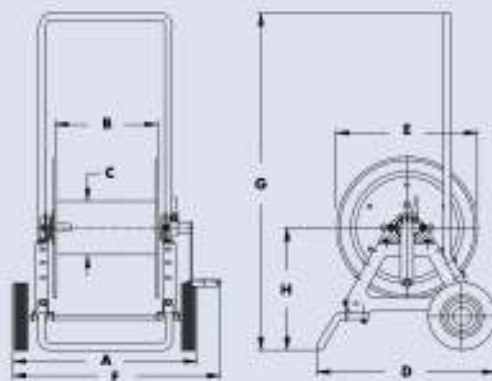
| Model Number   | Cable Capacity of Reel<br>feet m |                       |      |      | Approx. Weight<br>lb. kg |      | Reel Dimensions<br>in. mm |      |     |       |       |       |      |       |
|----------------|----------------------------------|-----------------------|------|------|--------------------------|------|---------------------------|------|-----|-------|-------|-------|------|-------|
|                | O.D. in.<br>mm                   | Ga./No. of Conductors |      |      |                          |      | NET                       | SHIP | A   | B     | C     | D     | E    | F     |
|                |                                  | 14/3                  | 12/2 | 10/3 |                          |      |                           |      |     |       |       |       |      |       |
| <b>C1150</b>   | .83                              | 80                    | 89   |      | 44                       | 100* | 21.5                      | 12   | 6   | 21    | 16.5  | 25    | 39   | 13.81 |
|                | 14                               | 15                    | 38   |      | 20                       | 45   | 546                       | 300  | 152 | 533   | 419   | 635   | 991  | 351   |
| <b>ATC1250</b> | .96                              | 750                   | 550  |      | 84                       | 147* | 24.88                     | 11.5 | 8   | 23.31 | 22.75 | 27.25 | 40   | 17.25 |
|                | 250                              | 229                   | 158  |      | 38                       | 67   | 632                       | 292  | 203 | 592   | 578   | 692   | 1016 | 439   |

**Notes:**

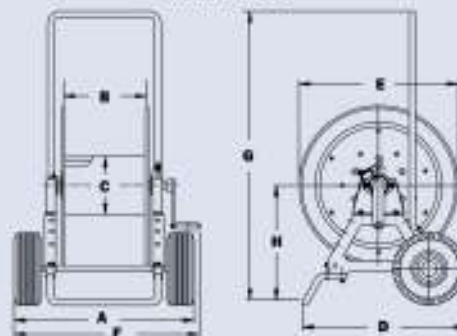
- Specifications subject to change.
1. When ordering C1150 and ATC1250, specify model number, O.D., length and weight of cable, hose, etc.
  2. These storage reels have no live connections.
  3. **Be sure to check dimensions and weights prior to ordering.**
- \*Dimensional weight applies when shipped as a parcel package (via FedEx or UPS Ground) – some assembly required.



**Optional Folding Handle**  
For compact storage



Model C1150



Model ATC1250