

Series 700

- Lubrication • Air/Water • Assembly Operations
- Washdown • Air Tools • General Industrial Applications

To handle 1/4" through 1/2" I.D. hose.

- Rollformed channel frame for heavy-duty applications.
- Non-sparking ratchet assembly.
- Declutching arbor to prevent damage from reverse winding.
- Standard inlet: 90° balanced pressure swivel joint, 1/2" female NPT threads.
- Standard outlet: 1/2" female NPT threads.
- Standard pressures to 3000 psi (207 bar), available up to 10,000 psi (690 bar) – must specify.
- Temperatures from -60°F to +250°F (-51°C to +121°C), optional temperatures to +400°F (+204°C) – must specify.
- 4-way roller assembly.
- SR and VR roller positions: swivel joint is standard on the right. TR roller positions: swivel joint is standard on the left. Other configurations available, must specify.
- Constant tension is available – consult factory.



Standard configuration shown

PARTS DRAWING – ISO 66

| Model Number | Hose Capacity of Reel feet m | | | Approx. Weight lb. kg | | | Standard Roller Assy. | Reel Dimensions*** in. mm | | | | | | | | | | | | | | | | | | | |
|------------------------|---------------------------------|------------|------------|--------------------------|-------------|------------------------------|-----------------------|------------------------------|----------|-------------|--------------|--------------|--------------|--------------|-------------|------------|--------------|-----|-----|-----|-----|-----|-----|-----|-----|-----|-----|
| | I.D. in. | 1/4 | 3/8 | 1/2 | NET | UPS/ FedEx SHIP Wt. | | Freight SHIP Wt. | A | B | C | D | E | F | G | H | X | Y | | | | | | | | | |
| | mm | 6 | 10 | 13 | | | | | | | | | | | | | | | 5/8 | 3/4 | 7/8 | | | | | | |
| 716-23-24-15.5J | - | 65 | 65 | 79 | 86* | 114 | R204 | 9.25 | 4 | 15.5 | 23.25 | 24.38 | 12.75 | 23.88 | 12.5 | 4.5 | 20 | 235 | 102 | 394 | 591 | 619 | 324 | 607 | 318 | 114 | 508 |
| 716-23-24-15.5G | 100 | 75 | 65 | 94 | 102* | 129 | R204 | 9.25 | 4 | 15.5 | 23.25 | 24.38 | 12.75 | 23.88 | 12.5 | 4.5 | 20 | 235 | 102 | 394 | 591 | 619 | 324 | 607 | 318 | 114 | 508 |
| 716-25-26-15.5B | - | 75 | 75 | 90 | - | 125 | R204 | 9.25 | 4 | 15.5 | 25 | 26.12 | 12.75 | 25.88 | 13.5 | 4.5 | 21.75 | 235 | 102 | 394 | 635 | 663 | 324 | 657 | 343 | 114 | 552 |
| 718-25-26-15.5G | - | 100 | 100 | 96 | - | 131 | R206 | 11.25 | 6 | 15.5 | 25 | 26.12 | 14.75 | 25.88 | 13.5 | 6.5 | 21.75 | 286 | 152 | 394 | 635 | 663 | 375 | 657 | 343 | 165 | 552 |
| 718-30-31-20D | - | 150 | 125 | 127 | - | 162 | R206 | 11.25 | 6 | 20 | 28.5 | 29.62 | 15.5 | 31.38 | 17 | 6.5 | 25.25 | 286 | 152 | 508 | 724 | 752 | 394 | 797 | 432 | 165 | 641 |

Notes:

A hose stop is necessary to keep spring from unwinding.

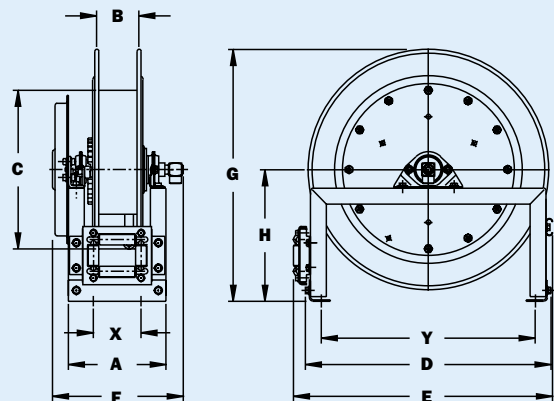
1. Specifications subject to change.
2. Reel models and capacities shown are for standard drag applications; for vertical lift applications, consult factory.
3. Other sizes, from standard components, available on request.
4. **Finish:** Refer to page 3.

5. Be sure to check dimensions and weights prior to ordering.

NOTICE: A flexible connector must be used between the inlet pipe and the inlet swivel joint.

*Dimensional weight may apply when shipped as a parcel package (via FedEx or UPS Ground).

*** X, Y indicate mounting holes. See page 5.



Available Roller Positions

