

MANUAL OR POWER REWIND REELS

Series 1500

- Lawn Care • Pest Control • Pressure Washing
- Agriculture • Steam Cleaning

To handle single 1/4" through 5/8" I.D. hose.

- Lightweight, compact reels designed for long lengths of hose in manual and power rewind.
- Direct crank rewind is permanently attached.
- Chain and sprocket drive powered by electric, hydraulic or compressed air motor.
- Manual reels include cam-lock drag brake, spring actuated pin lock.
- Standard inlet: 90° ball bearing swivel joint, 1/2" female NPT threads.
- Standard outlet: 1/2" female NPT threads.
- Standard pressures to 3000 psi (207 bar), available up to 10,000 psi (690 bar) – must specify.
- Temperatures from +20°F to +400°F (-7°C to +204°C).
- Rollers and roller mounting brackets are accessory items. Specify roller position.



Crank rewind
Standard
configuration
shown



Optional External Mounting Brackets

Part No. 9906.0027.
Add 2-1/2" to the X dimensions
shown in the chart.

PARTS DRAWING – ISO 90 (POWER); ISO 179 (MANUAL)

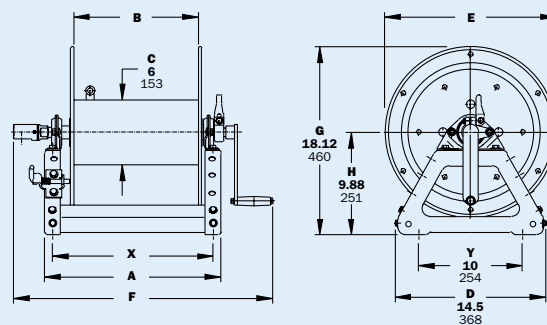
Model Number For power rewind see Note 5	Hose Capacity of Reel feet m					Approx. Weight Crank Rewind lb. kg see Note 3			Reel Dimensions*** in. mm						
	I.D. in. mm	1/4 6	3/8 10	1/2 13	5/8 16	NET	UPS/ FedEx SHIP Wt.	Freight SHIP Wt.	A	B	E CRANK	E POWER	F CRANK	F POWER	X
	O.D. in. mm	5/8 16	3/4 19	7/8 22	1 25										
1514-17-18	175	125	75	50	27	65*	62	11	6	16.5	19	18.5	16.5	9.5	
	53	38	23	15	12	30	28	279	152	419	483	470	419	241	
1520-17-18	350	275	175	125	29	80*	64	17	12	16.5	19	24.5	22.5	15.5	
	107	84	53	38	13	36	29	432	305	419	483	622	572	394	
1526-17-18	500	400	300	200	31	98*	66	23	18	16.5	19	30.5	28.5	21.5	
	152	122	91	61	14	45	30	584	457	419	483	775	724	546	
1530-17-18	-	500	375	275	33	110*	68	27	22	16.5	19	34.5	32.5	25.5	
	-	152	114	84	15	50	31	686	559	419	483	876	826	648	
1536-17-18	-	-	475	350	35	129*	70	33	28	16.5	19	40.5	38.5	31.5	
	-	-	145	107	16	59	32	838	711	419	483	1029	978	800	

Notes:

- Specifications subject to change.
- Upon request, reels can be supplied with drum lengths other than shown.
- Weights shown in chart are for crank rewind models. ADD these amounts for power rewind models (does not apply to FedEx or UPS):

	Net lbs/kg	Ship lbs/kg
Electric	18/8.2	18/8.2
Hydraulic	15/6.8	15/6.8
Air	15/6.8	15/6.8
- Dimension "F" is the overall length of standard model reels.
- When ordering power rewind models, prefix model number with:
 - A = Air Rewind – Supplied with control valve and 18" air hose.

- E = Electric Rewind – 12v and 24v DC rewind reels are supplied with switch and solenoid; 115v AC rewind reels are not supplied with switch but can be ordered separately.
 - HD = Hydraulic Rewind – Not supplied with control valve.
- Manual rewind available in RT or LB configurations only.
 - Finish: Refer to page 3.
 - Be sure to check dimensions and weights prior to ordering.
 - Some roller options may prohibit the use of our molded chain guard.
- NOTICE:** A flexible connector must be used between the inlet pipe and the inlet swivel joint.
- * Dimensional weight applies when shipped as a parcel package (via FedEx or UPS Ground).
- *** X, Y indicate mounting holes. See page 5.



Crank rewind shown