

# Series 4100

- Fuel Dispensing (Consult Factory) • Water Supply
- Fire Protection • Chemical Transfer

**To handle single 3/4" or 1" I.D. hose.**

- Lightweight, compact reels designed for long lengths of hose in manual and power rewind.
- Manual rewind reels include: gear-driven crank rewind with removable handle and adjustable brake.
- Power rewind reels include: chain and sprocket drive powered by electric, hydraulic or air motor.
- Standard inlet: 90° ball bearing swivel joint, 1" female NPT threads.
- Standard outlet: 1" female NPT threads.
- Standard pressures to 2000 psi (138 bar), available up to 4000 psi (276 bar) – must specify.
- Temperatures from -40° F to +400° F (-40° C to +204° C).
- Rollers and roller mounting brackets are accessory items. Specify roller position.



Standard configuration shown with Electric Rewind (E) option and gear-driven crank rewind and optional finish shown

**PARTS DRAWING – ISO 216**

Model Number For power rewind see Note 5	Hose Capacity of Reel feet m			Approx. Weight Crank Rewind lb. kg see Note 3		Reel Dimensions*** in. mm					
	I.D. in. mm	3/4	1	NET	SHIP	A	B	E CRANK	E POWER	F	X
	O.D. in. mm	1-9/32	1-1/2								
<b>4118-17-18</b>	<b>50</b>	<b>35</b>	<b>62</b>	<b>97</b>	<b>15</b>	<b>10</b>	<b>18</b>	<b>20.5</b>	<b>21.5</b>	<b>7.5</b>	
	15	11	28	44	381	254	457	521	546	190	
<b>4124-17-18</b>	<b>100</b>	<b>50</b>	<b>72</b>	<b>107</b>	<b>21</b>	<b>16</b>	<b>18</b>	<b>20.5</b>	<b>27.5</b>	<b>13.5</b>	
	30	15	33	49	533	406	457	521	699	343	
<b>4130-17-18</b>	<b>150</b>	<b>75</b>	<b>83</b>	<b>118</b>	<b>27</b>	<b>22</b>	<b>18</b>	<b>20.5</b>	<b>33.5</b>	<b>19.5</b>	
	46	23	38	54	686	559	457	521	851	495	
<b>4138-17-18</b>	<b>200</b>	<b>100</b>	<b>96</b>	<b>131</b>	<b>35</b>	<b>30</b>	<b>18</b>	<b>20.5</b>	<b>41.5</b>	<b>27.5</b>	
	61	30	44	59	889	762	457	521	1054	698	

**Notes:**

- Specifications subject to change.
- Upon request, reels can be supplied with drum lengths other than shown.
- Weights shown in chart are for crank rewind models. ADD these amounts for power rewind models:
 

	Net lbs/kg	Ship lbs/kg
<b>Electric</b>	<b>18/8.2</b>	<b>18/8.2</b>
<b>Hydraulic</b>	<b>15/6.8</b>	<b>15/6.8</b>
<b>Air</b>	<b>15/6.8</b>	<b>15/6.8</b>
- Dimension "F" is the overall length of standard model reels.
- When ordering standard gear rewind models, prefix model number with:  
**G** = Gear Rewind.

When ordering power rewind models, prefix model number with:

**A** = Air Rewind – Supplied with control valve and 18" air hose.

**E** = Electric Rewind – 12v and 24v DC rewind reels are supplied with switch and solenoid; 115v AC rewind reels are not supplied with switch but can be ordered separately.

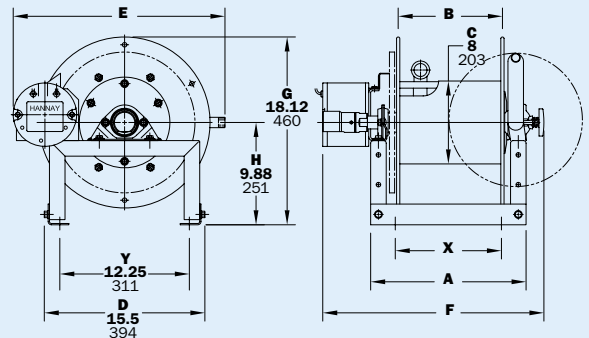
**HD** = Hydraulic Rewind – Not supplied with control valve.

6. **Finish:** Refer to page 3.

7. **Be sure to check dimensions and weights prior to ordering.**

**NOTICE:** A flexible connector must be used between the inlet pipe and the inlet swivel joint.

\*\*\* X, Y indicate mounting holes. See page 5.



Power rewind shown