

Series 8000

- Bulk Transfer • Fueling Applications (Consult Factory)
- Chemical Transfer • General Dispensing • Suction/Discharge (Consult Factory)

To handle single 1-1/2" or 2" I.D. hose.

- Heavy-duty reel designed for longer lengths and larger diameters of hose through 2" I.D.
- Choose gear-driven crank rewind or chain and sprocket drive powered by an electric, hydraulic or compressed air motor.
- Crank rewind reels supplied with a pinion brake; power rewind reels with a strap brake.
- Standard inlet: 90° ball bearing swivel joint, 2" female NPT threads.
- Standard outlet: flanged riser, 2" female NPT threads.
- Standard: inlet, outlet riser, and hub assembly are steel. Options: also available in aluminum or stainless steel.
- Pressures to 600 psi (41 bar).
- Temperatures from -25°F to +250°F (-32°C to +121°C), optional temperatures to +400°F (+204°C) – must specify.
- Consult factory for other pressures and temperatures.
- Rollers and roller mounting brackets are accessory items. Specify roller position.
- Consult factory for optional chain guard.



Standard configuration shown with Electric Rewind (EP) option



Chain Clutch-Reduction Units

For use on power reels with disc diameter 39" or larger and/or when increased torque and slower rewind speeds are required. Factory installed when specified or available as an accessory item.

PARTS DRAWING – ISO 35

Model Number For power rewind see Note 4	Hose Capacity of Reel feet m			Approx. Weight Crank Rewind lb. kg see Note 3		Reel Dimensions*** in. mm									
	I.D. in. mm	1-1/2 38	2 51	NET	SHIP	A	B	D	E	F CRANK	F POWER	G	H	X	Y
	O.D. in. mm	2-1/16 52	2-9/16 65			26.25	20	27	25.75	33.75	34.75	26.62	13.75	18.75	23.25
8234-26-27	80	60	120	170	26.25	20	27	25.75	33.75	34.75	26.62	13.75	18.75	23.25	
	24	18	54	77	667	508	686	654	857	883	676	349	476	591	
8238-26-27	100	75	145	195	30.25	24	27	25.75	37.75	38.75	26.62	13.75	22.75	23.25	
	30	23	66	88	768	610	686	654	959	984	676	349	578	591	
8246-26-27	145	100	196	245	38.25	32	27	25.75	46.75	46.75	26.62	13.75	30.75	23.25	
	44	30	89	112	972	813	686	654	1162	1188	676	349	781	591	
8226-33-34	85	60	80	150	17.75	11.5	31.5	31.75	25.25	26.25	33.38	17.75	10.25	27.75	
	26	18	36	68	451	292	800	806	641	667	848	445	260	705	
8234-33-34	150	115	133	230	26.25	20	31.5	31.75	33.75	34.75	33.38	17.75	18.75	27.75	
	46	35	60	105	667	508	800	806	857	883	848	445	476	705	
8238-39-40	340	225	218	420	30.25	24	40	39	37.75	38.75	39.88	20.38	22.75	37	
	104	69	99	191	768	610	1016	991	959	984	1013	518	578	940	

Notes:

1. Specifications subject to change.
2. Upon request, reels can be supplied with drum lengths other than shown and with disc sizes in other diameters.
3. Weights shown in chart are for crank rewind models. ADD these amounts for power rewind models.

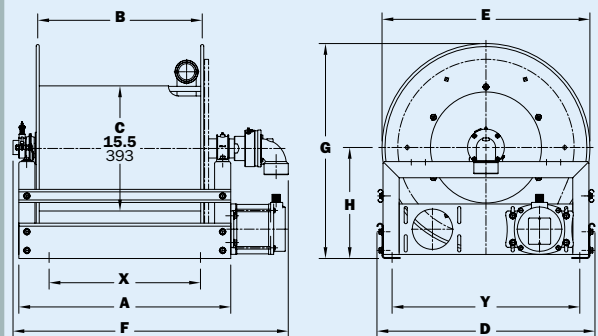
	Net lbs/kg	Ship lbs/kg
Electric	40/18.1	40/18.1
Hydraulic	20/9.1	20/9.1
Air	20/9.1	20/9.1

4. When ordering power rewind models, prefix model number with:
A = Air Rewind – Supplied with control valve and 25" air hose.
EP = Electric Rewind (1/2 HP) – 12v and 24v DC rewind reels are supplied with switch and solenoid; 115v AC rewind reels are not supplied with switch but can be ordered separately.
HD = Hydraulic Rewind – Not supplied with control valve.

5. **Finish:** Refer to page 3.
6. **Be sure to check dimensions and weights prior to ordering.**

NOTICE: A flexible connector must be used between the inlet pipe and the inlet swivel joint.

*** X, Y indicate mounting holes. See page 5.



Power rewind shown