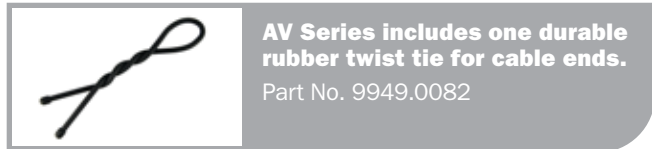


# Series AV

**For fast rollout and storage in broadcast and pro-audio applications.**

- Rugged steel and aluminum construction with square tubing frame.
- Non-reflective black matte finish is standard.
- Removable side-mounted connector panels (blank panel is supplied as standard).
- Frame clips allow stacking of reels.
- Standard strain relief inside panel compartment.
- Adjustable cam-lock drag brake.
- Equipped with one durable rubber twist tie for cable ends.
- Optional heavy-duty, locking caster wheels (set includes 2 locking and 2 non-locking casters).
- Optional pull handle is available for AV-2 and AV-3 (Part No. 9949.0500). See page 5.



**AV-1**  
Standard with caster mounting plates



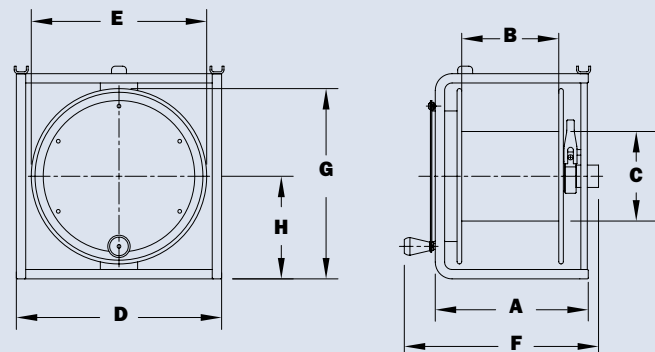
**AV-2**  
Shown with optional casters (cable and punched end plate not included)

**PARTS DRAWING – AV-1-ISO 190, AV-2-ISO 191, AV-3-ISO 231**

Model Number	Cable Capacity of Reel feet m									Approx. Weight without cable lb. kg			Reel Dimensions in. mm							
	O.D. (in) O.D. (mm)	.25 6	.32 8	.38 10	.41 10	.45 11	.49 12	.58 15	.67 17	NET	UPS/ FedEx, SHIP Wt.	Freight SHIP Wt.	A	B	C	D	E	F	G	H
AV-1	600	350	225	200	150	125	-	-	14	58*	21	10.5	7	6	13.75	11.75	14.25	14.25	7	
	183	107	69	61	46	38	-	-	6	26	10	267	178	152	349	298	362	362	178	
AV-2	-	-	-	750	600	500	350	250	25	80*	30	13	9	8	20	18	16.25	20.5	10	
	-	-	-	229	183	152	107	76	11	36	14	330	229	203	508	457	413	521	254	

**Notes:**

1. Specifications subject to change.
  2. **Be sure to check dimensions and weights prior to ordering.**
  3. Casters will add 2-3/4" to "G" dimension on AV-1 and AV-3.  
Casters will add 3-1/2" to "G" dimension on AV-2.
- \*Dimensional weight applies when shipped as a parcel package (via FedEx or UPS Ground).



AV-1 and AV-2