

Series V-6000

To handle single 1" I.D. hose.

- Rugged, industrial-duty construction.
- Choose gear-driven crank rewind or chain and sprocket drive powered by an electric, hydraulic or compressed air motor.
- Crank rewind reels supplied with pinion brake; power rewind reels with a strap brake.
- Standard inlet: 90° #304 stainless steel ball bearing swivel joints, 1" female NPT threads.
- Standard outlet: 1" female NPT threads.
- Standard inlet, outlet riser, and hub assembly are stainless steel. Optional aluminum swivel joint is available.
- One-piece welded hub assembly.
- Optional rollers are available.
- Standard pressures to 1000 psi (69 bar).
- Temperatures from -40° F to +400° F (-40° C to +204° C).
- Chain guard available upon request, must be specified.



Standard configuration shown with Electric Rewind (V-EPJ) option



Standard configuration shown with Electric Rewind (V-EPJ) option, optional Assembly C2 roller top wind and auxiliary rewind



Optional Auxiliary Rewind

Ring and pinion shaft rewind unit with removable crank handle.

Series V-6000

PARTS DRAWING – ISO 84

Model Number For power rewind see Note 5	Hose Capacity of Reel feet m		Approx. Weight Crank Rewind lb. kg see Note 4		Reel Dimensions*** in. mm									
	I.D. in. mm	1	NET	SHIP	A	B	D	E	F CRANK	F POWER	G	H	X	Y
		25												
V-6024-19-21		60	85	127	21	15.5	20.5	18.75	25.38	30	21.5	12.12	13	16.75
		18	39	58	533	394	521	476	645	762	546	308	330	425
V-6032-19-21		85	102	144	29.5	24	20.5	18.75	33.88	38.5	21.5	12.12	21.5	16.75
		26	46	65	749	610	521	476	861	978	546	308	546	425
V-6024-23-24		100	92	134	21	15.5	20.5	22.75	25.38	30	23.5	12.12	13	16.75
		30	42	61	533	394	521	578	645	762	597	308	330	425
V-6030-23-24		150	105	147	27.5	22	20.5	22.75	31.88	36.5	23.5	12.12	19.5	16.75
		46	48	67	699	559	521	578	810	927	597	308	495	425
V-6038-23-24		175	120	162	35	29.5	20.5	22.75	39.38	44	23.5	12.12	27	16.75
		53	54	73	889	749	521	578	1000	1118	597	308	686	425
V-6016-25-26		60	88	130	13	7.5	25.5	24.75	17.38	22	27.88	15.5	7.75	21.75
		18	40	59	330	191	648	629	441	559	708	394	197	552
V-6022-25-26		100	100	142	19	13.5	25.5	24.75	23.38	28	27.88	15.5	11	21.75
		30	45	64	483	343	648	629	594	711	708	394	279	552
V-6028-25-26		175	113	155	25.5	20	25.5	24.75	29.88	34.5	27.88	15.5	17.5	21.75
		53	51	70	648	508	648	629	759	876	708	394	445	552
V-6018-30-31		125	101	151	15	9.5	25.5	28.75	19.38	24	29.88	15.5	7	21.75
		38	46	68	381	241	648	730	492	610	759	394	178	552
V-6024-30-31		175	113	163	21	15.5	25.5	28.75	25.38	30	29.88	15.5	13	21.75
		53	51	74	533	394	648	730	645	762	759	394	330	552
V-6028-30-31		250	121	171	25.5	20	25.5	28.75	29.88	34.5	29.88	15.5	17.5	21.75
		76	55	78	648	508	648	730	759	876	759	394	445	552
† V-6030-30-31		275	125	175	27.5	22	25.5	28.75	31.88	36.5	29.88	15.5	19.5	21.75
		84	57	79	699	559	648	730	810	927	759	394	495	552
† V-6028-33-34		300	129	179	25	20	31.5	31.75	29.75	34.25	33.63	17.75	17.5	27.75
		91	59	81	635	508	800	806	756	870	854	451	445	705

Notes:

- Specifications subject to change.
- Upon request, reels can be supplied with drum lengths other than shown and with disc sizes in other diameters.
- Dimensions shown for reels up to and including 30-31 disc size reflect pressed frames. All others are rollformed channel frames.
- Weights shown in chart are for crank rewind models. Prefix model number with V-. ADD these amounts for power rewind models:

	Net lbs/kg	Ship lbs/kg
Electric 1/2 HP	40/18.1	40/18.1
Hydraulic	20/9.1	20/9.1
Air	20/9.1	20/9.1

- When ordering power rewind models, replace prefix V- with:
 - V-A** = Air Rewind—Supplied with control valve and 18" air hose.
 - V-EPJ** = Explosion-Proof Electric Rewind (1/2 HP)—12v and 24v DC rewind reels supplied with explosion-proof switch, solenoid, and junction box. 115v AC rewind reels supplied with explosion-proof switch and junction box.
 - V-HD** = Hydraulic Rewind—not supplied with control valve.

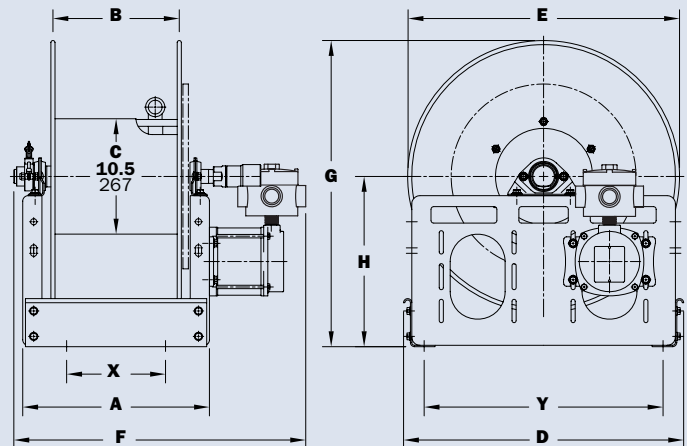
6. **Finish:** Refer to page 2.

7. **Be sure to check dimensions and weights prior to ordering.**

NOTICE: A flexible connector must be used between the inlet pipe and the inlet swivel joint.

*** X, Y indicate mounting holes. See page 2.

† Some applications require a manual clutch/reduction unit (consult factory).



Electric power rewind shown with junction box